

Selectable 2 or 3 Dimensional Current Meter

Compact, cost-effective, high-accuracy meters with vector-averaged current speed and direction

Enhanced Design, Specifications, Performance

The Falmouth Scientific, Inc. enhanced Acoustic Current Meter delivers extremely precise 2 or 3 dimensional velocity measurements (user selectable) in a defined free field. The **ACM-PLUS** uses the most accurate and stable current measurement techniques available today and is configured with standard features that are options on competitive instruments such as **extended on-board data memory, fast download capability, high accuracy real-time clock, and high speed data sampling.**

The instrument incorporates an internal compass and tilt sensors to provide true current vector direction. The unit's compact size and light weight make the **ACM-PLUS** well suited for multiple meter arrays. Windows-based software for meter setup, data collection and data visualization make the FSI **ACM-PLUS** very user-friendly.

The **ACM-PLUS** is available in either shallow-water or deep-water housings. The device may also be equipped with an optional pressure sensor, an optional CTD module, and can be configured to log up to two analog inputs from external sensors (e.g., DO, OBS, etc.).



FSI ACM-PLUS-200 with optional 5 ton frame

FEATURES

- Compact, lightweight, low-maintenance construction
- **User Selectable 2 or 3 axis** true cosine response velocity measurement
- Accurate velocity measurement with excellent low-velocity resolution
- Electronic magneto-resistive compass with 2-axis tilt sensor
- **Fast Data Sampling up to 10 Hz**
- Water Temperature measurement
- Extremely long battery life with low-maintenance alkaline batteries
- Real-time output/display capability; **Fast Data Download**
- Long-term data logging to **2 GigaByte internal flash memory**
- ASCII serial data output via RS-232 or RS-485 (set at factory)
- Built-in **High Accuracy** real-time clock with on/off power control
- 1.5-ton working strength mooring frame standard; options for 5-ton mooring frame or frame with mooring line clamps
- Optional pressure sensor or integrated conductivity, temperature, pressure sensor module (CTD) may be added
- Choice of epoxy shallow-water (200m) or titanium deep-water (7000m) housings

SPECIFICATIONS

Sensors

Parameter	Type	Range	Accuracy	Resolution
Velocity	Acoustic	0 to 600 cm/s	$\leq 1\% \pm 0.5$ cm/s	0.01 cm/s
Direction	3 Axis Magnetometer	0 to 360°	$\pm 2^\circ$	0.01°
Tilt	2 Axis Accelerometer	0 to 30°	0.5°	0.01°
Temperature	Semiconductor	-3 to 40°C	$\leq 0.1^\circ\text{C}$	$\leq 0.01^\circ$
Pressure (optional)	Strain gauge	0 to 200 dBar 0 to 7000 dBar	$\pm 0.1\%$ full scale	0.01% full scale

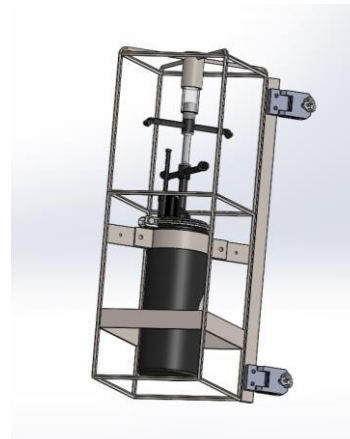
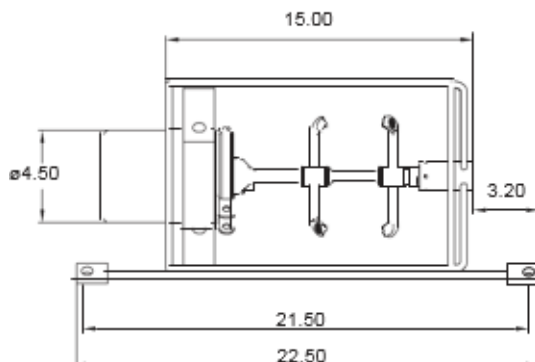
Optional CTD

	Range	Accuracy	Resolution	Stability
Conductivity (mS/cm)	0 to 70	± 0.01	.001	± 0.0005 per month
Temperature (Celsius)	-5 to 32° ITS-90	$\pm 0.01^\circ$.001°	$\pm 0.0005^\circ$ per month
Pressure (dBar)	0 to 200 dBar 0 to 7000 dBar	$\pm 0.1\%$ full scale	0.01% full scale	$\pm 0.01\%$ per month

Instrument

External Power:	8 to 32 VDC
Current Draw:	15 mA at 1 Hz sample rate; 80 mA at 10 Hz sample rate; 150 uAmp sleep
Battery Power:	Alkaline 5 D Cell Welded Pack, 10 AHR
Internal Memory:	2.0GB Standard
Sample Rate:	10 Hz Maximum
Vector Averaging Period:	User Selectable up to 59 Min:59 Sec
Real Time Clock:	Programmable High Accuracy Sampling/Low-power Mode
Sampling Modes:	Continuous, Interval, and Delayed Start (continuous or interval)
Clock Stability:	+/- 2ppm (0-40 degrees C); +/-4ppm (-40 degrees C to +85 degrees C)
Input Channels:	Two (2) 0-5V DC Input Channels with 12 bit A/D resolution available for external sensor input, such as; Transmissometer, DO, OBS, etc. (Regulated 12 VDC 1.5W provided to power external sensors)
Depth Rating/Physical Material:	200 Meter Epoxy Housing Standard, P/N: ACM-PLUS-200 7000 Meter Titanium Housing Optional, P/N: ACM-PLUS-7000
Mooring Frame:	1.5 Ton 316 Stainless Steel Mooring Frame (Standard, shown below left) 5 Ton 316 Stainless Steel Mooring Frame (Optional; see photo on page 1) 5 Ton 316 Stainless Steel with Mooring Line Clamps (Optional, shown below right)

Specifications Subject to Change without Notice



21Jan2014

Falmouth Scientific, Inc.

1400 Route 28A, PO Box 315, Cataumet, MA 02534-0315

fsi@falmouth.com • Tel: 1-508-564-7640 • Fax: 1-508-564-7643 • www.falmouth.com