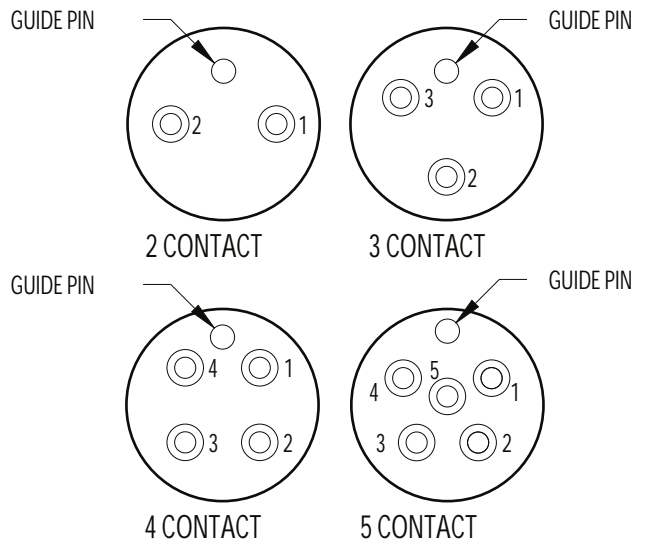
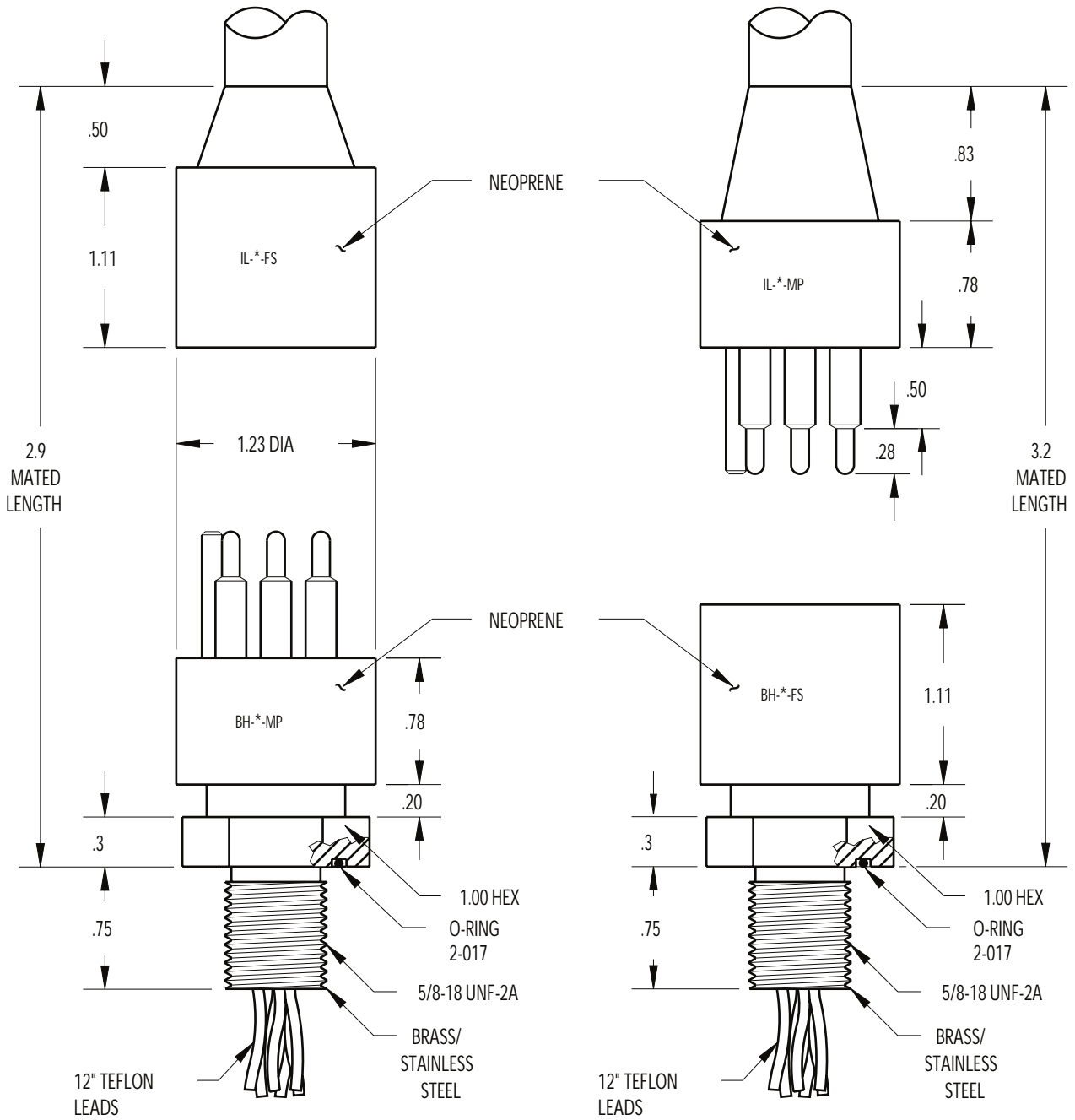
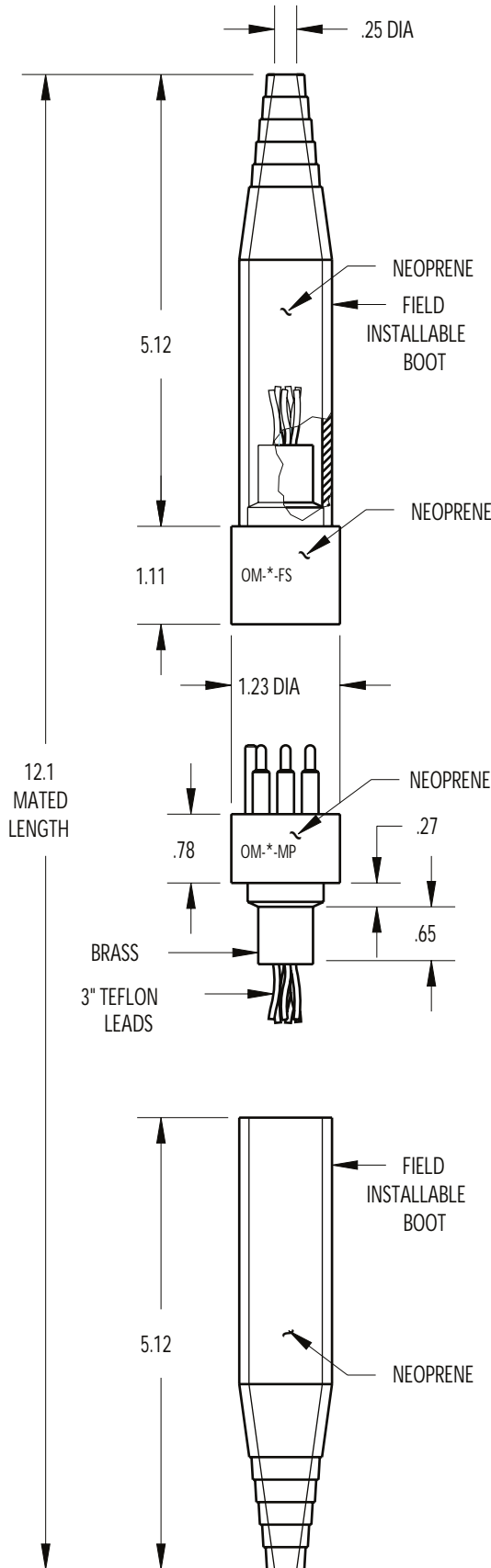


**CONTACT CONFIGURATION**  
(MP FACE VIEWS)

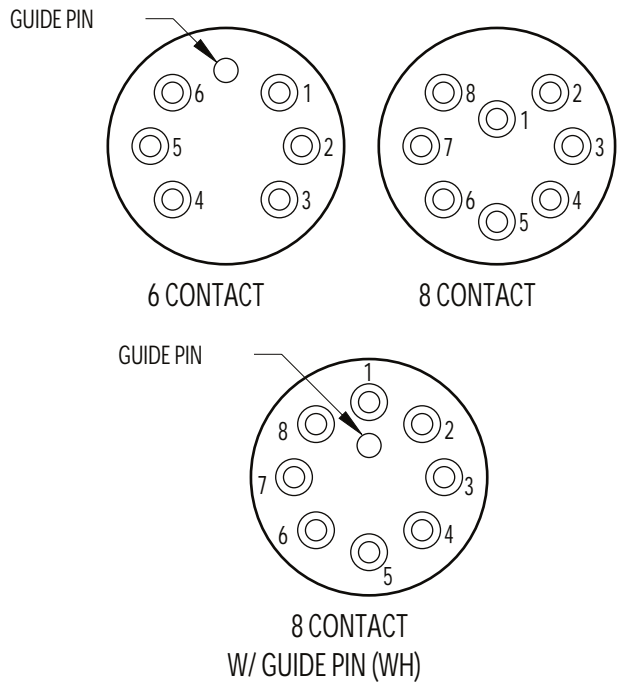


MOUNTING TORQUE FOR BH-FS/MP	not to exceed 100 in/lbs
MATED PRESSURE RATING (psi)	20,000
DUMMY PLUG FOR BH-FS, IL-FS, OM-FS	DC-*-MP
DUMMY PLUG FOR BH-MP, IL-MP, OM-MP	DC-*-FS
NOTE: Delrin locking sleeves available (DLSA-M or F).	
* Specify number of contacts.	



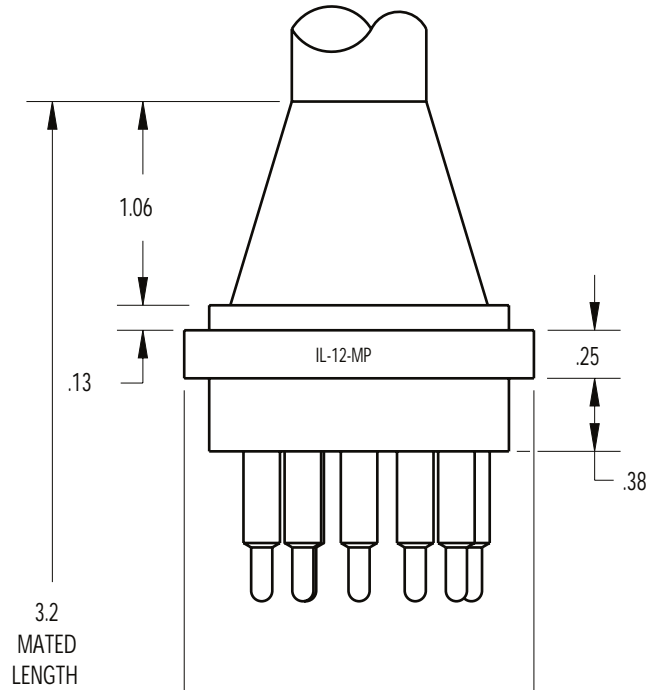
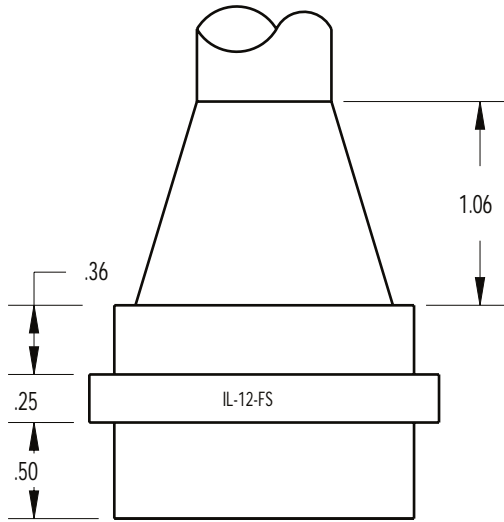


CONTACT  
CONFIGURATION  
(MP FACE VIEWS)

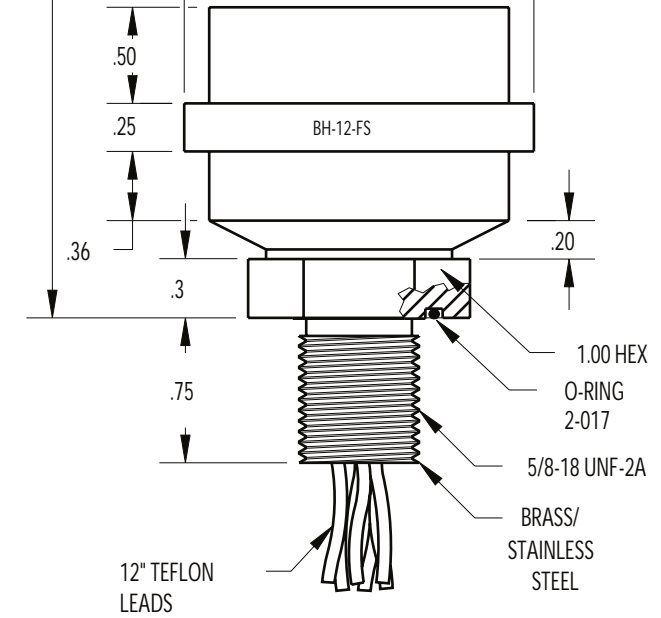
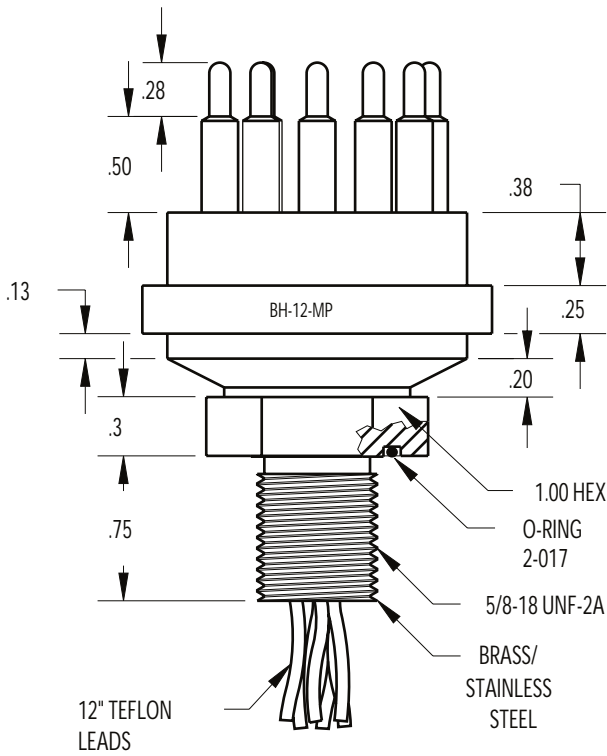


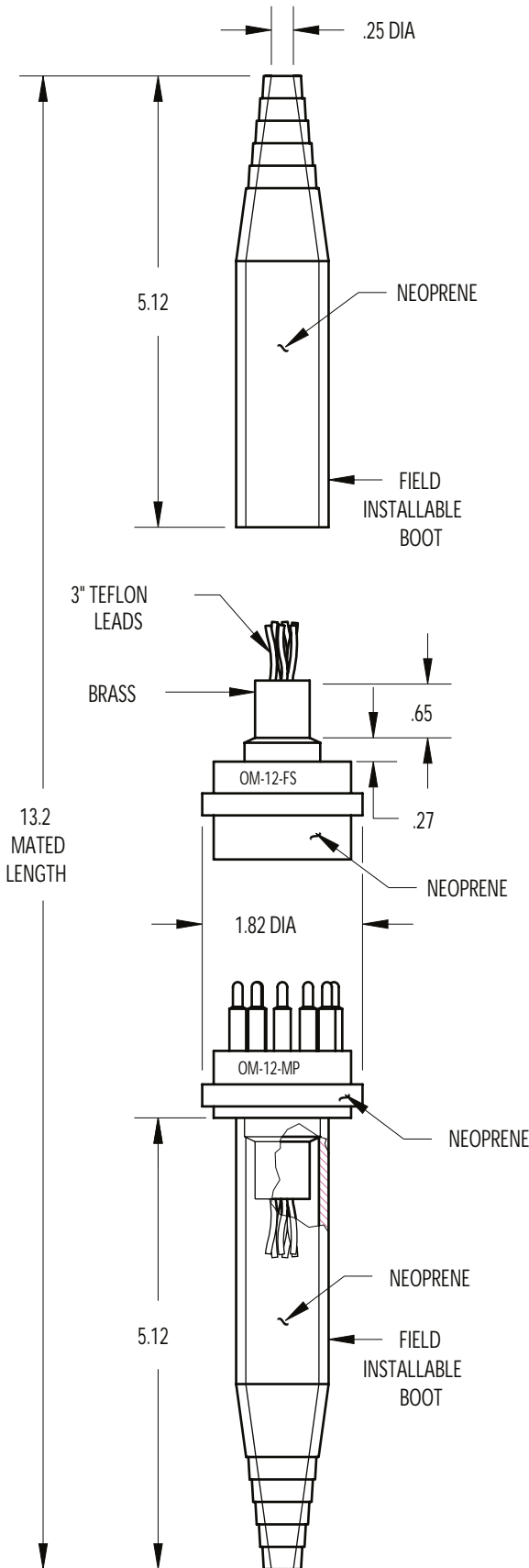
MOUNTING TORQUE FOR BH-FS/MP	not to exceed 100 in/lbs
MATED PRESSURE RATING (psi)	20,000
DUMMY PLUG FOR BH-FS, IL-FS, OM-FS	DC-*MP
DUMMY PLUG FOR BH-MP, IL-MP, OM-MP	DC-*FS

NOTE: Delrin locking sleeves available (DLSB-M or F).  
\* Specify number of contacts.

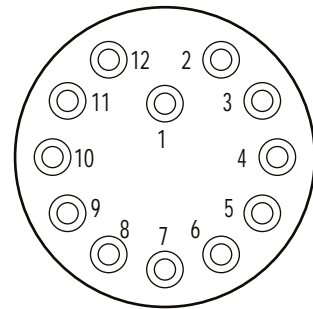


3.2  
MATED  
LENGTH



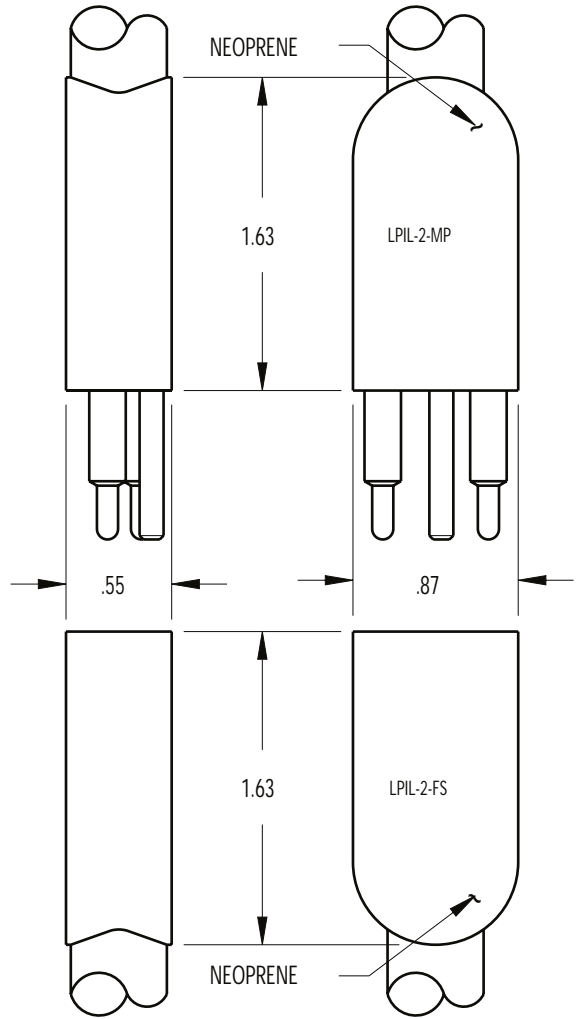
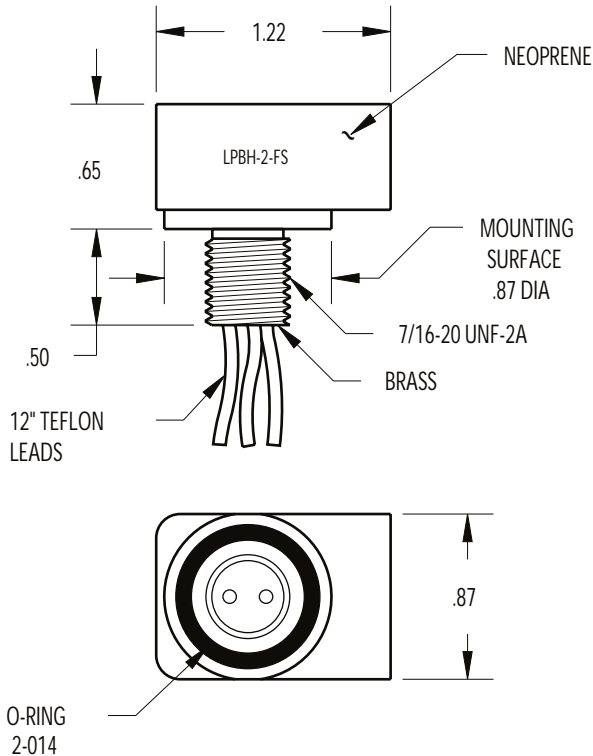
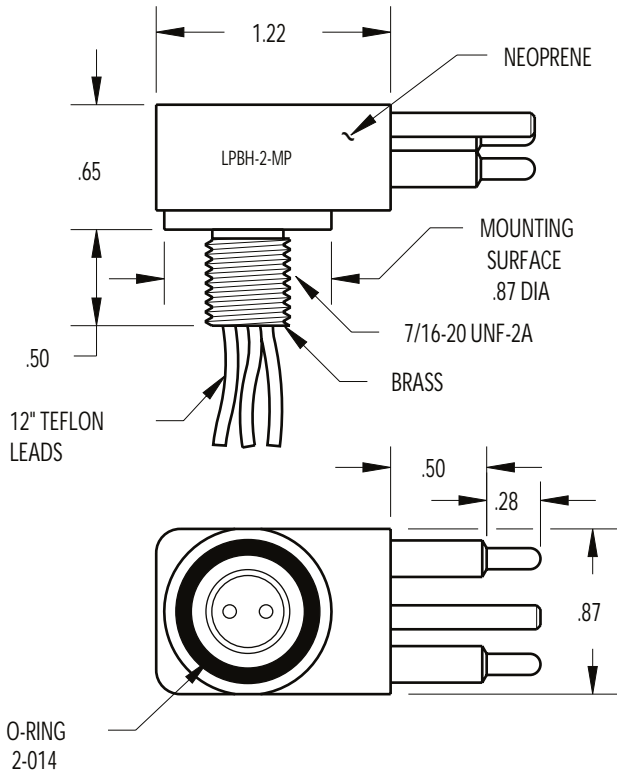


CONTACT  
CONFIGURATION  
(MP FACE VIEW)

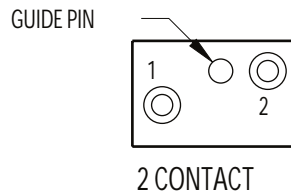


12 CONTACT

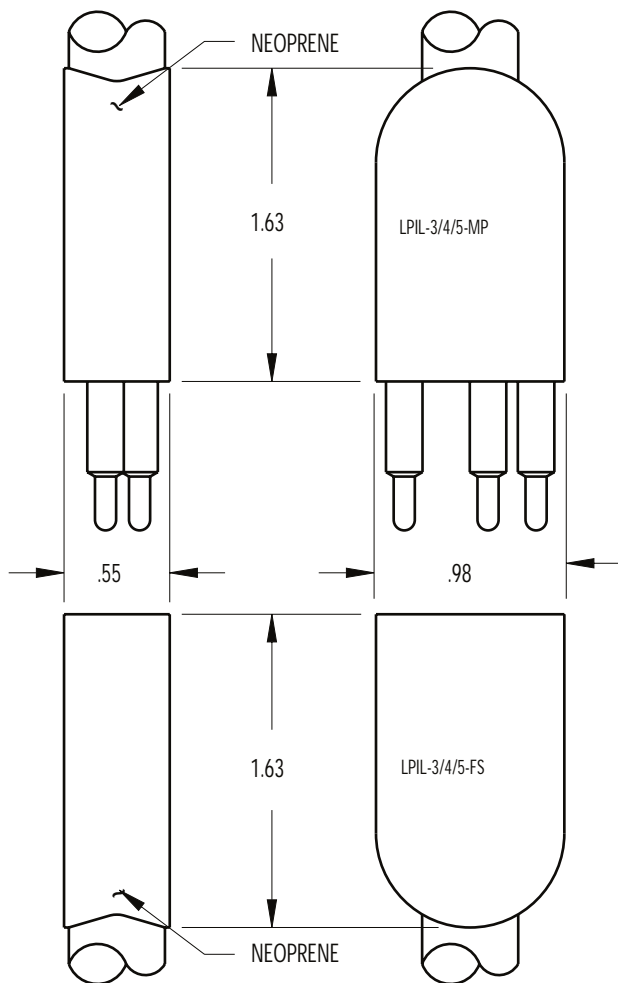
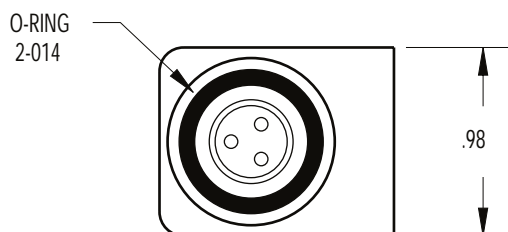
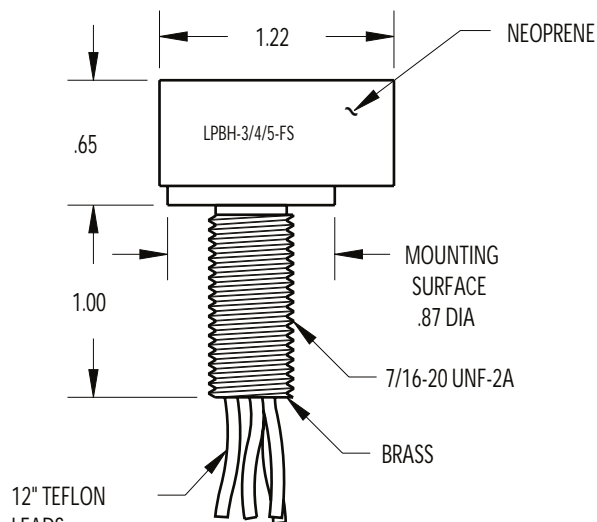
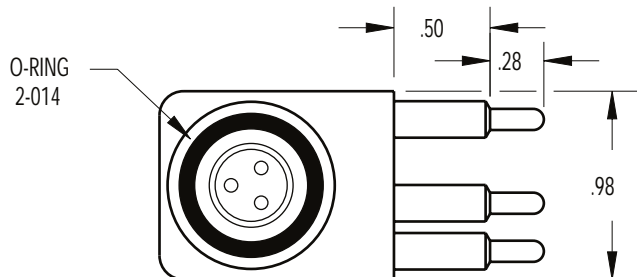
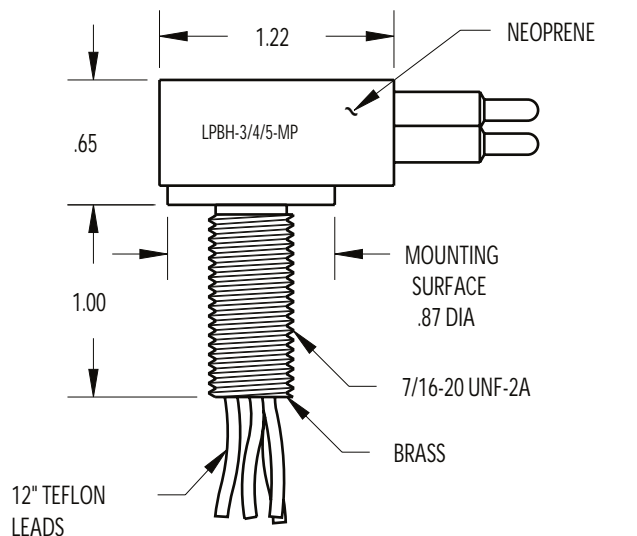
MOUNTING TORQUE FOR BH-FS/MP	not to exceed 100 in/lbs
MATED PRESSURE RATING (psi)	20,000
DUMMY PLUG FOR BH-FS, IL-FS, OM-FS	DC-12-MP
DUMMY PLUG FOR BH-MP, IL-MP, OM-MP	DC-12-FS
NOTE: Delrin locking sleeve available (DLSC-M or F).	



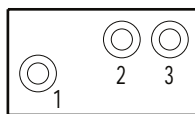
CONTACT  
CONFIGURATION  
(MP FACE VIEW)



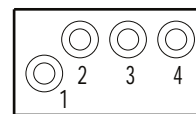
MOUNTING TORQUE FOR LPBH-FS/MP	not to exceed 100 in/lbs
MATED PRESSURE RATING (psi)	10,000
DUMMY PLUG FOR LPBH-2-FS, LPIL-2-FS	LPDC-2-MP
DUMMY PLUG FOR LPBH-2-MP, LPIL-2-MP	LPDC-2-FS
NOTE: Bulkhead body available in stainless steel. Standard 1/2" thread length.	



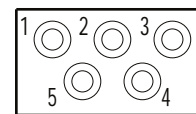
CONTACT  
CONFIGURATION  
(MP FACE VIEWS)



3 CONTACT

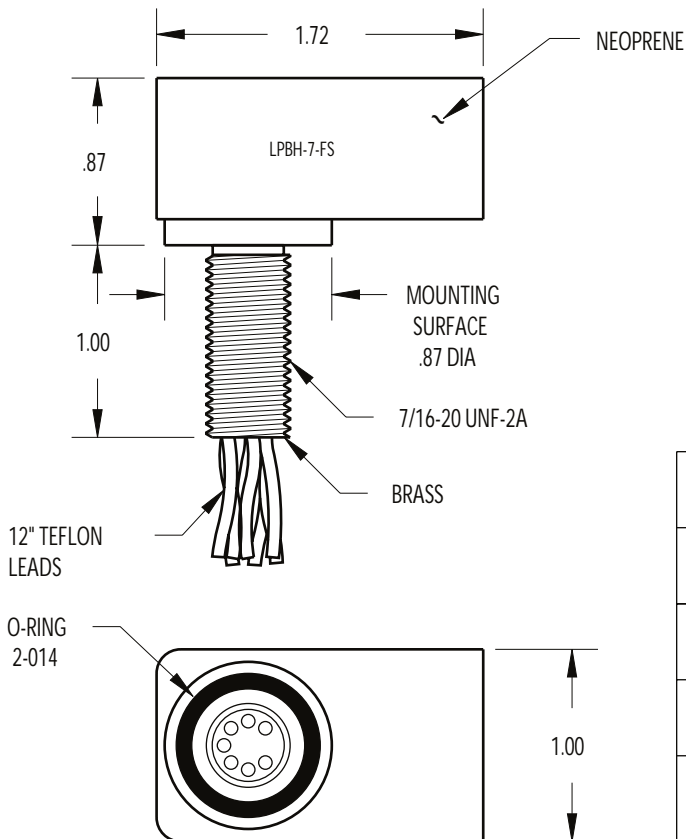
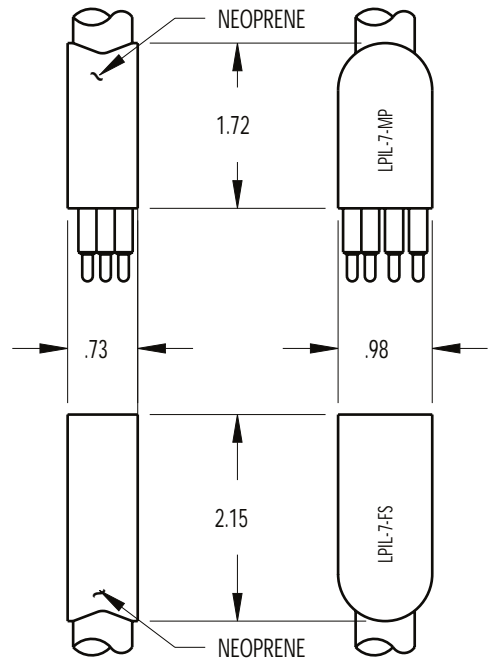
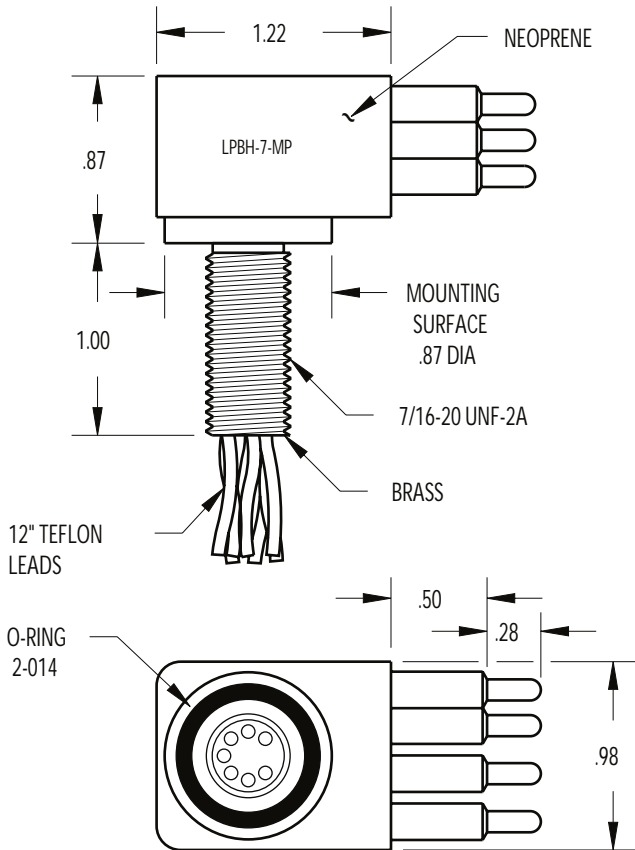


4 CONTACT

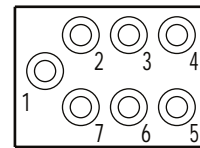


5 CONTACT

MOUNTING TORQUE FOR LPBH-FS/MP	not to exceed 100 in/lbs
MATED PRESSURE RATING (psi)	10,000
DUMMY PLUG FOR LPBH-3/4/5-FS, LPIL-3/4/5-FS	LPDC-3/4/5-MP
DUMMY PLUG FOR LPBH-3/4/5-MP, LPIL-3/4/5-MP	LPDC-3/4/5-FS
NOTE: Bulkhead body available in stainless steel. Standard 1" thread length.	

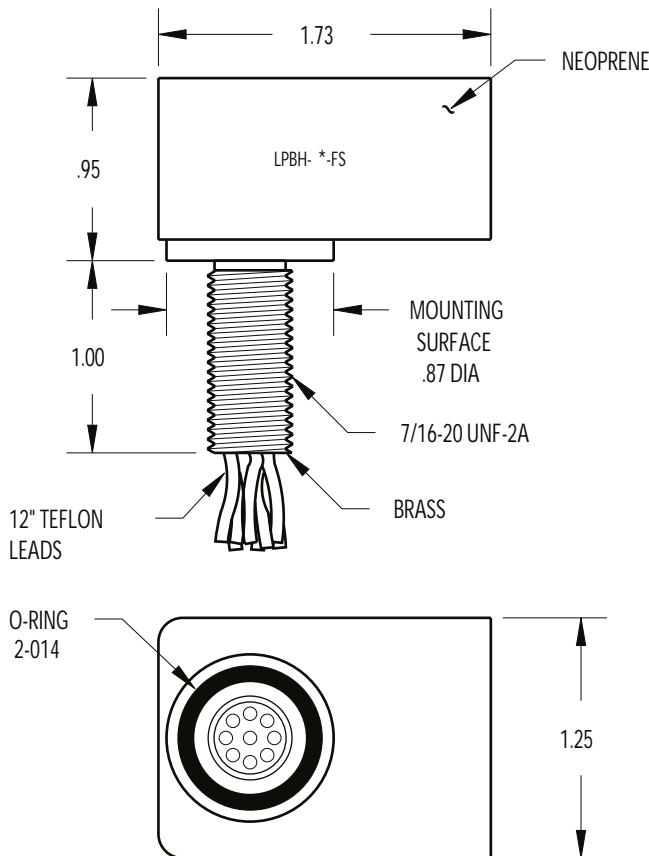
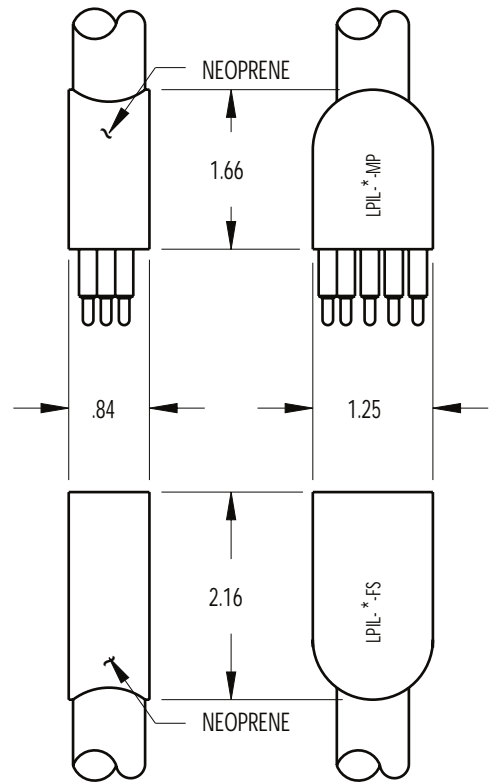
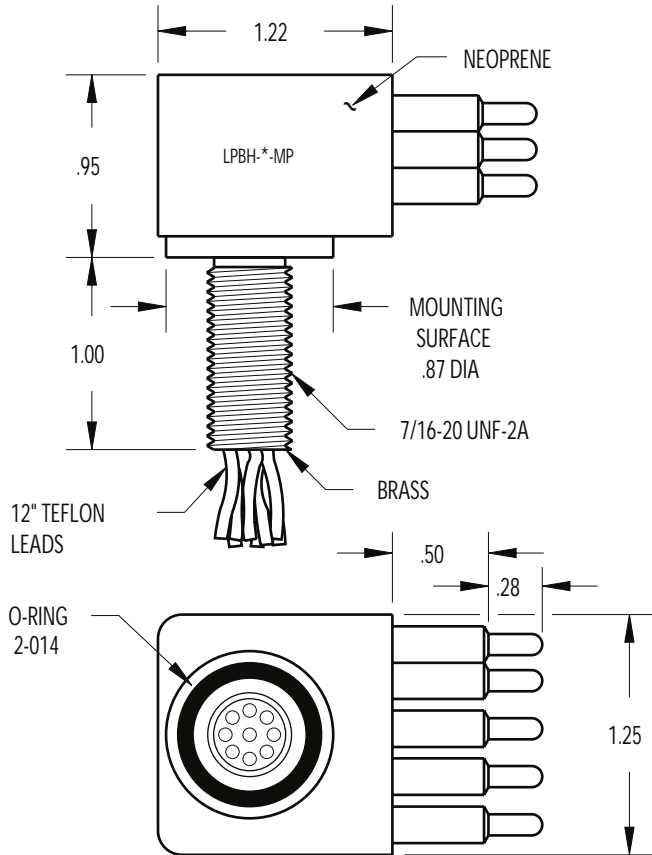


CONTACT  
CONFIGURATION  
(MP FACE VIEW)

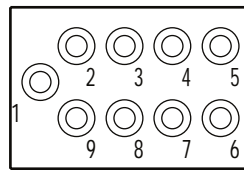


7 CONTACT

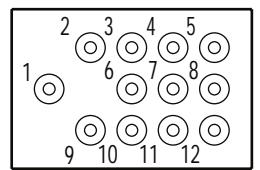
MOUNTING TORQUE FOR LPBH-FS/MP	not to exceed 100 in/lbs
MATED PRESSURE RATING (psi)	10,000
DUMMY PLUG FOR LPBH-7-FS, LPIL-7-FS	LPDC-7-MP
DUMMY PLUG FOR LPBH-7-MP, LPIL-7-MP	LPDC-7-FS
NOTE: Bulkhead body available in stainless steel. Standard 1" thread length.	



CONTACT  
CONFIGURATION  
(MP FACE VIEW)

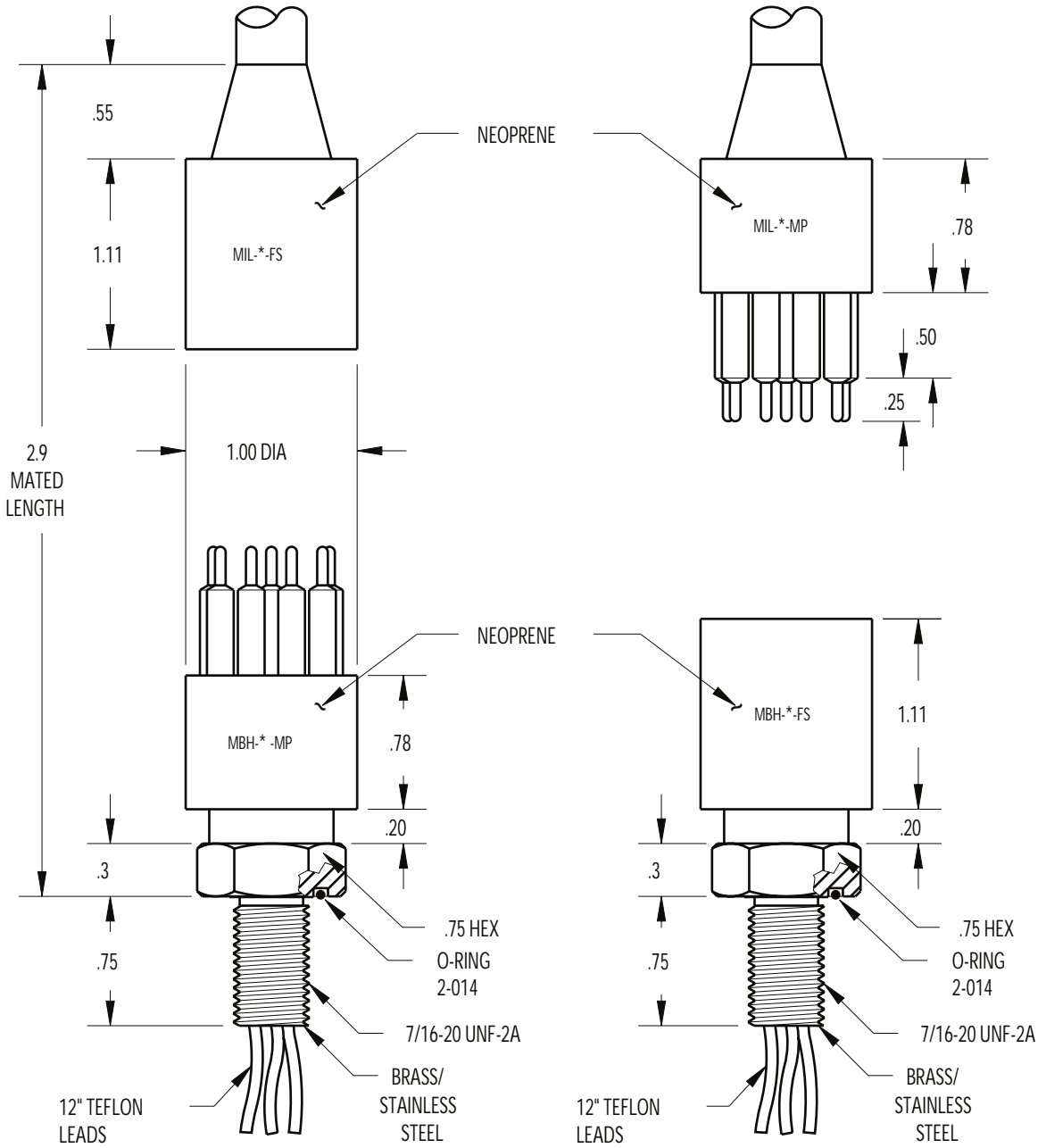


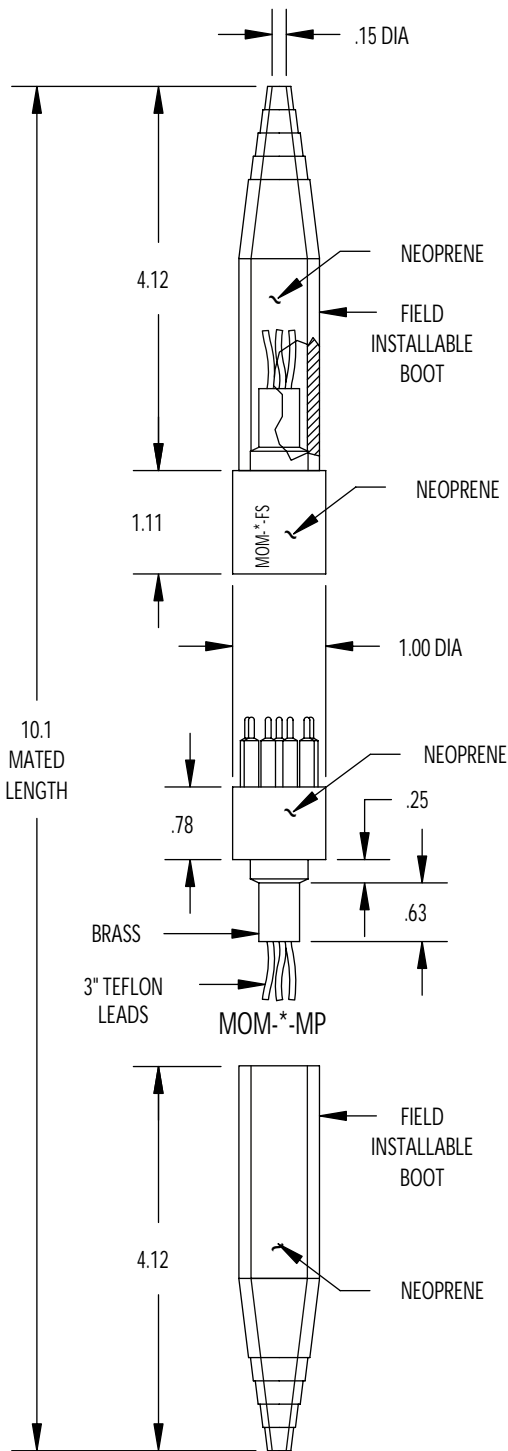
9 CONTACT



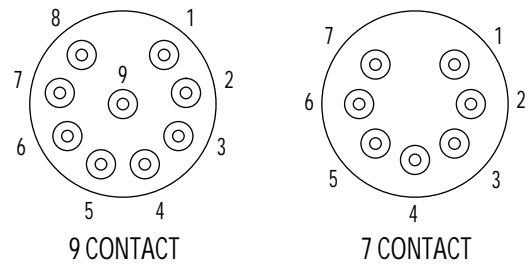
12 CONTACT

MOUNTING TORQUE FOR LPBH-FS/MP	not to exceed 100 in/lbs
MATED PRESSURE RATING (psi)	10,000
DUMMY PLUG FOR LPBH-9-FS, LPIL-9-FS	LPDC-9-MP
DUMMY PLUG FOR LPBH-9-MP, LPIL-9-MP	LPDC-9-FS
NOTE: Bulkhead body available in stainless steel. Standard 1" thread length.	

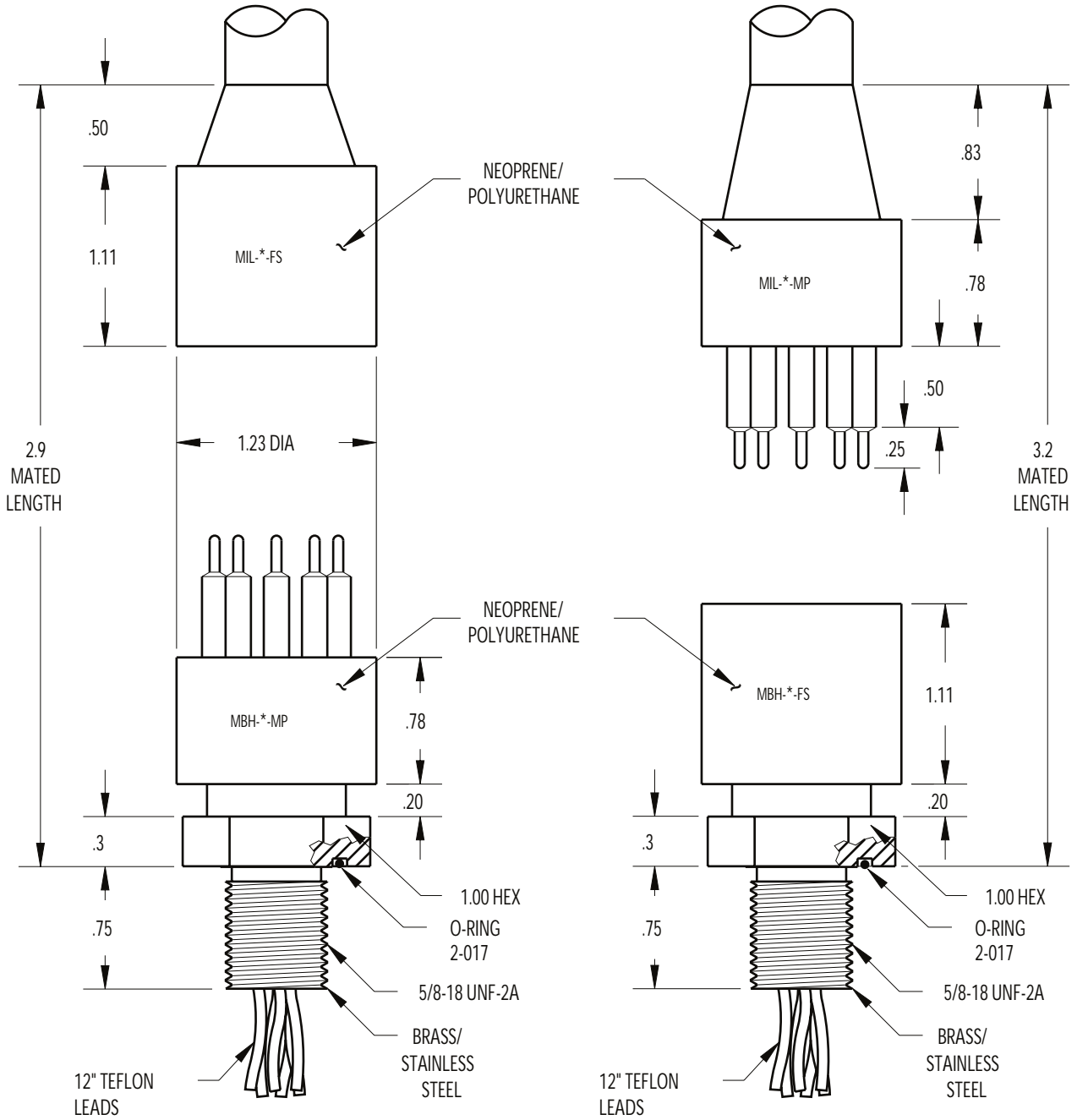


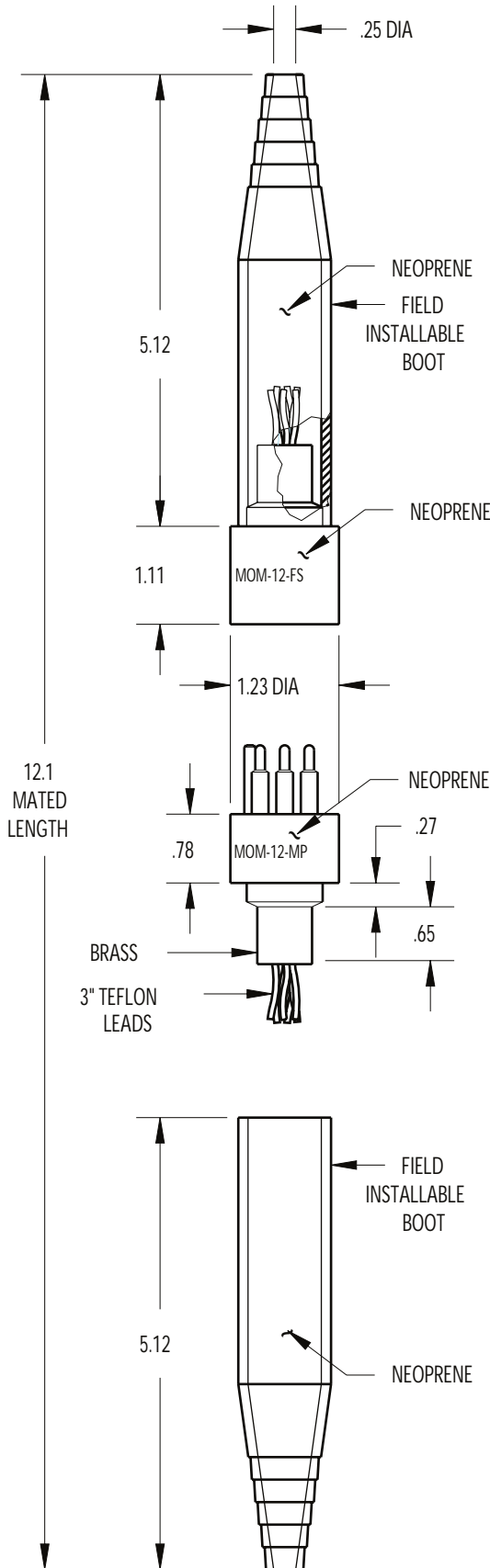


CONTACT  
CONFIGURATION  
(MP FACE VIEW)

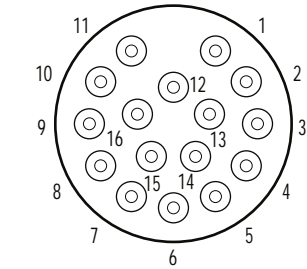
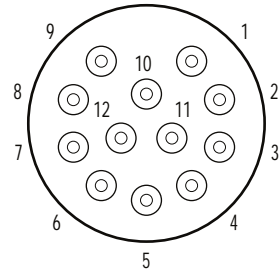


MOUNTING TORQUE FOR MBH-FS/MP	not to exceed 100 in/lbs
MATED PRESSURE RATING (psi)	20,000
DUMMY PLUG FOR MBH-FS, MIL-FS, MOM-FS	MDC-*MP
DUMMY PLUG FOR MBH-MP, MIL-MP, MOM-MP	MDC-*FS
NOTE: Delrin locking sleeves available (DLSA-M or F).	
* Specify number of contacts.	



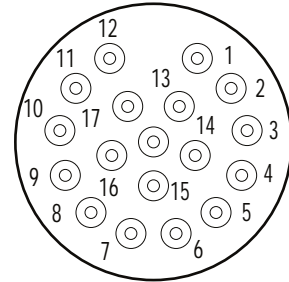


CONTACT  
CONFIGURATION  
(MP FACE VIEW)

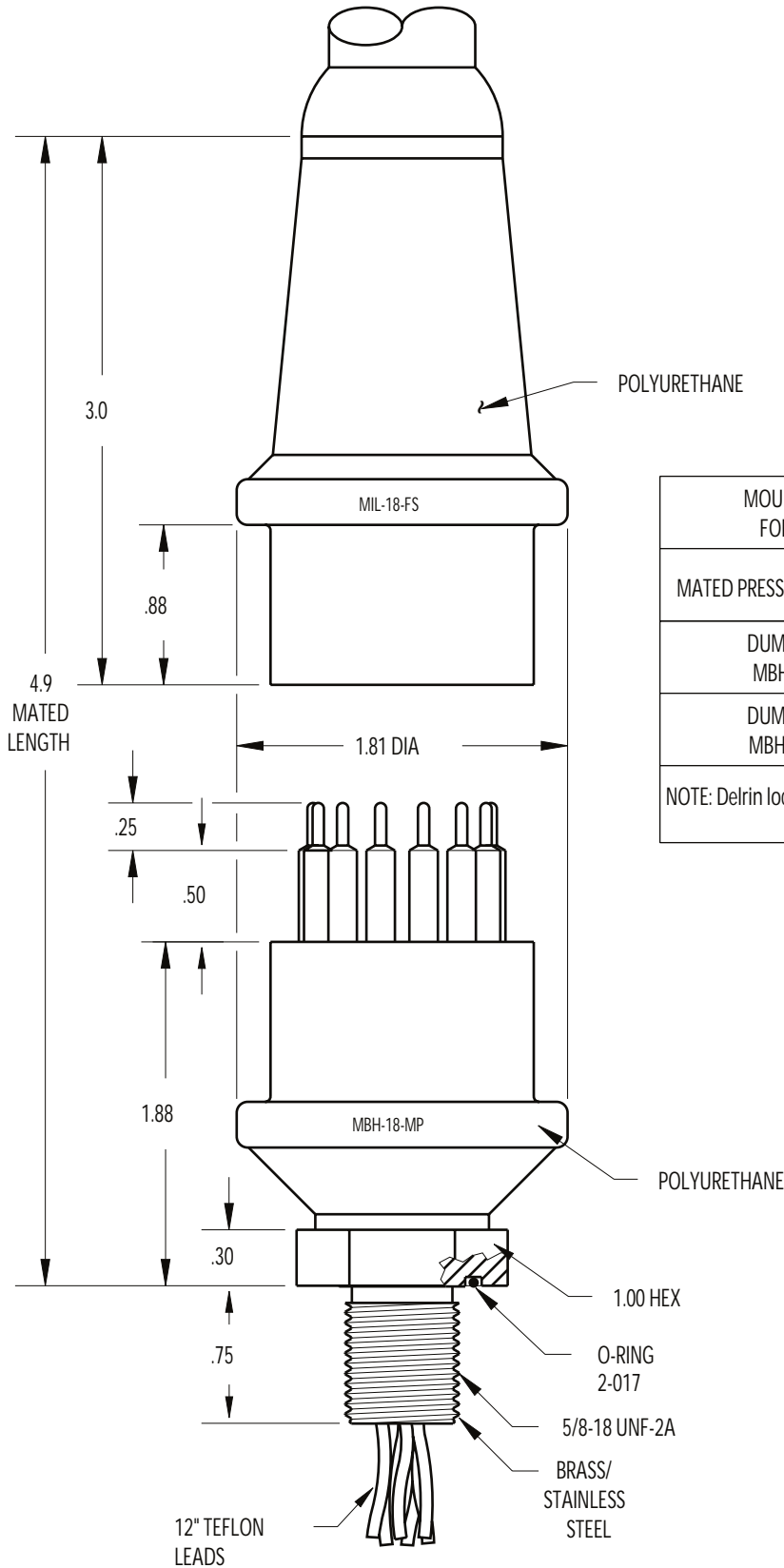


MOUNTING TORQUE FOR MBH-FS/MP	not to exceed 100 in/lbs
MATED PRESSURE RATING (psi)	20,000
DUMMY PLUG FOR MBH-FS, MIL-FS, MOM-FS	MDC-*-MP
DUMMY PLUG FOR MBH-MP, MIL-MP, MOM-MP	MDC-*-FS
NOTE: Delrin locking sleeves available (DLSB-M or F).	
* Specify number of contacts.	

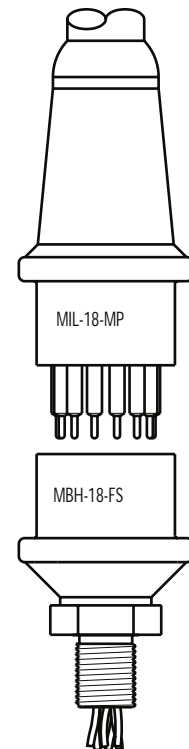
CONTACT  
CONFIGURATION  
(MP FACE VIEW)

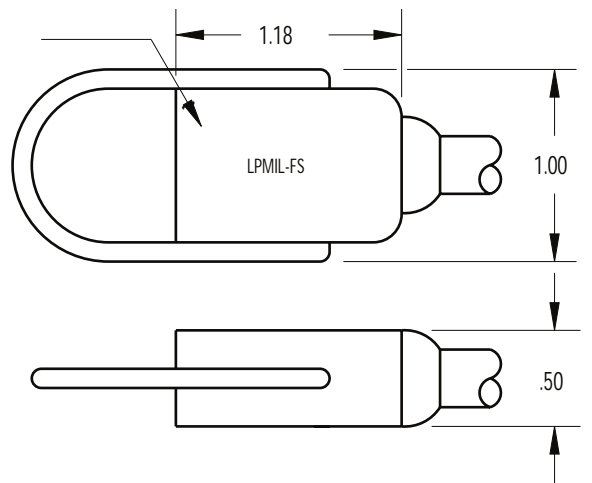
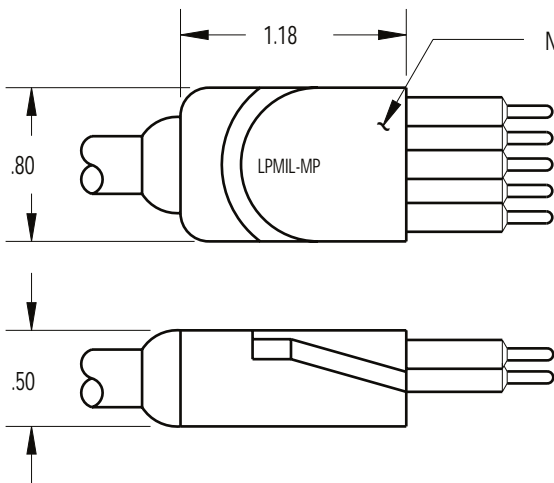
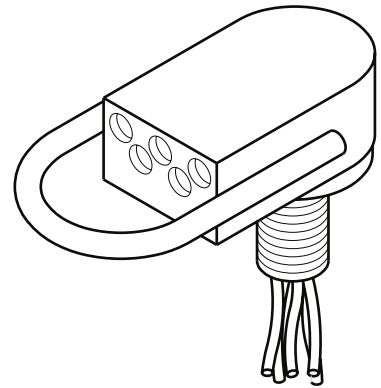
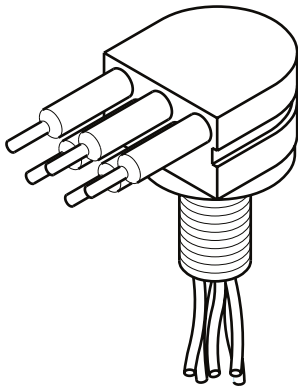
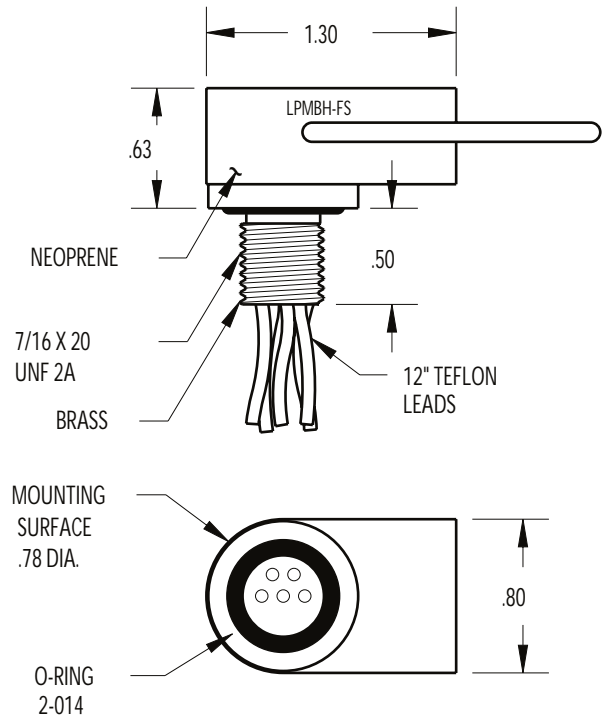
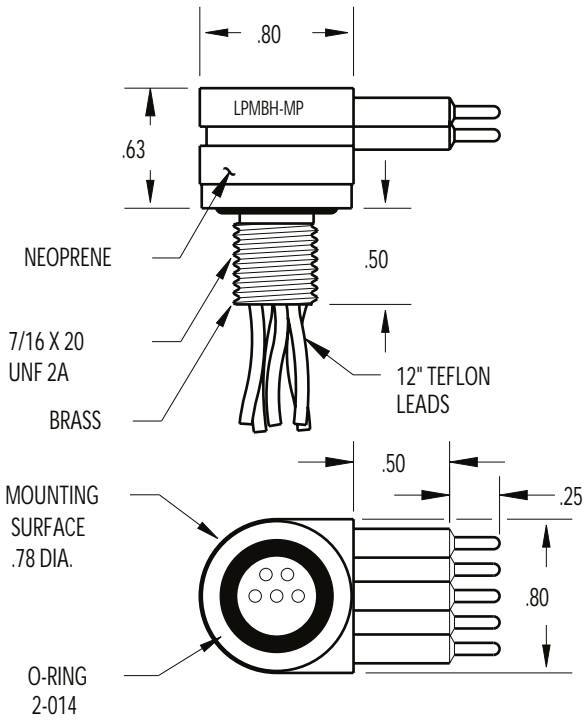


18 CONTACT

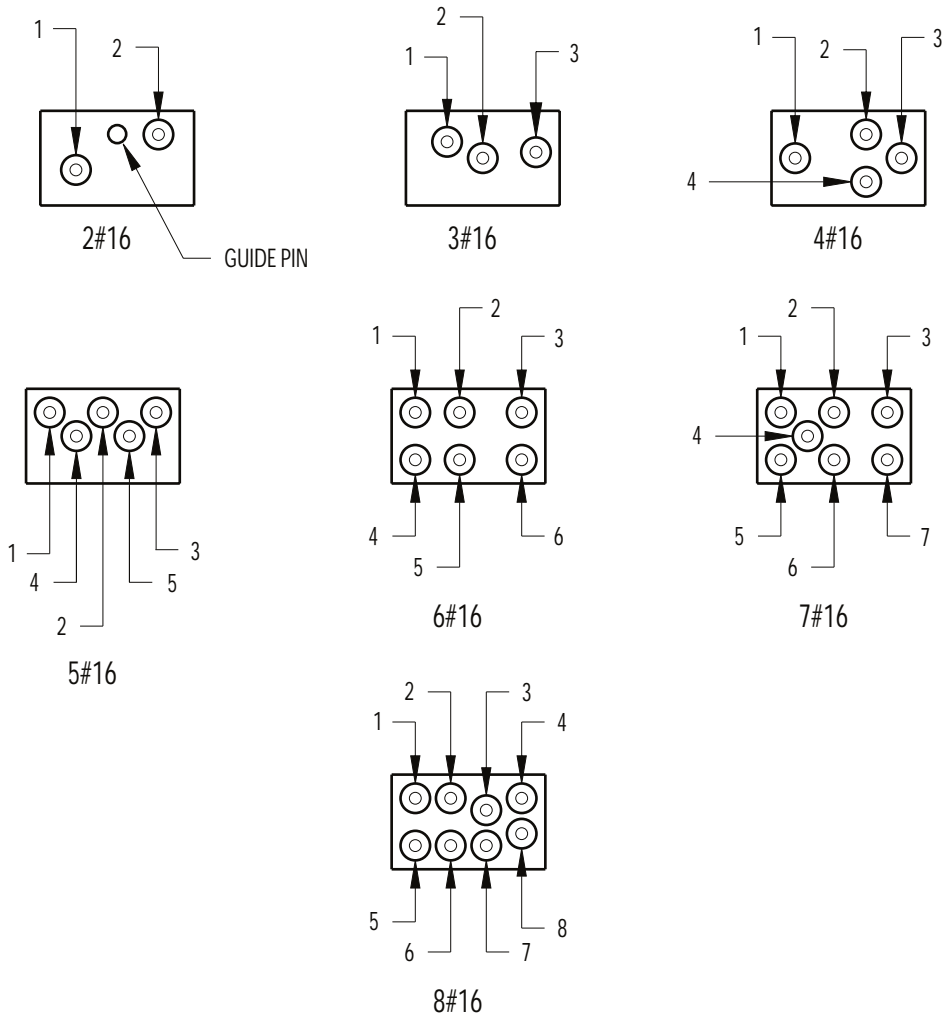


MOUNTING TORQUE FOR BH-FS/MP	not to exceed 100 in/lbs
MATED PRESSURE RATING (psi)	10,000
DUMMY PLUG FOR MBH-FS, MIL-FS	MDC-18-MP
DUMMY PLUG FOR MBH-MP, MIL-MP	MDC-18-FS
NOTE: Delrin locking sleeve available (DLSD-M or F).	





CONTACT  
CONFIGURATION  
(MP FACE VIEWS)



MOUNTING TORQUE LPMBH	not to exceed 100 in/lbs	MATED PRESSURE RATING (psi)	10,000
DUMMY PLUG FOR LPMBH-MP, LPMIL-MP	LPMDC-*-FS	DUMMY PLUG FOR LPMBH-FS, LPMIL-FS	LPMDC-*-MP
NOTE: Standard 1/2" thread length. * Specify number of contacts.			

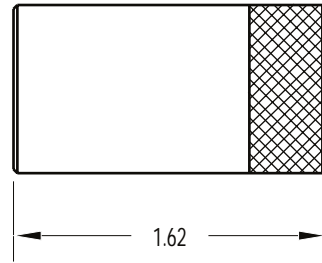
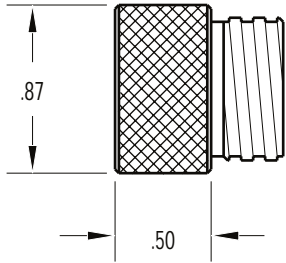


MALE

FEMALE

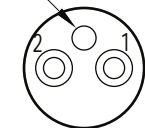
MCDLS-M

MCDLS-F



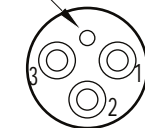
CONTACT  
CONFIGURATION  
(MP FACE VIEW)

GUIDE PIN



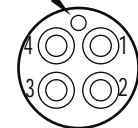
2 CONTACT  
W/ GUIDE PIN

GUIDE PIN



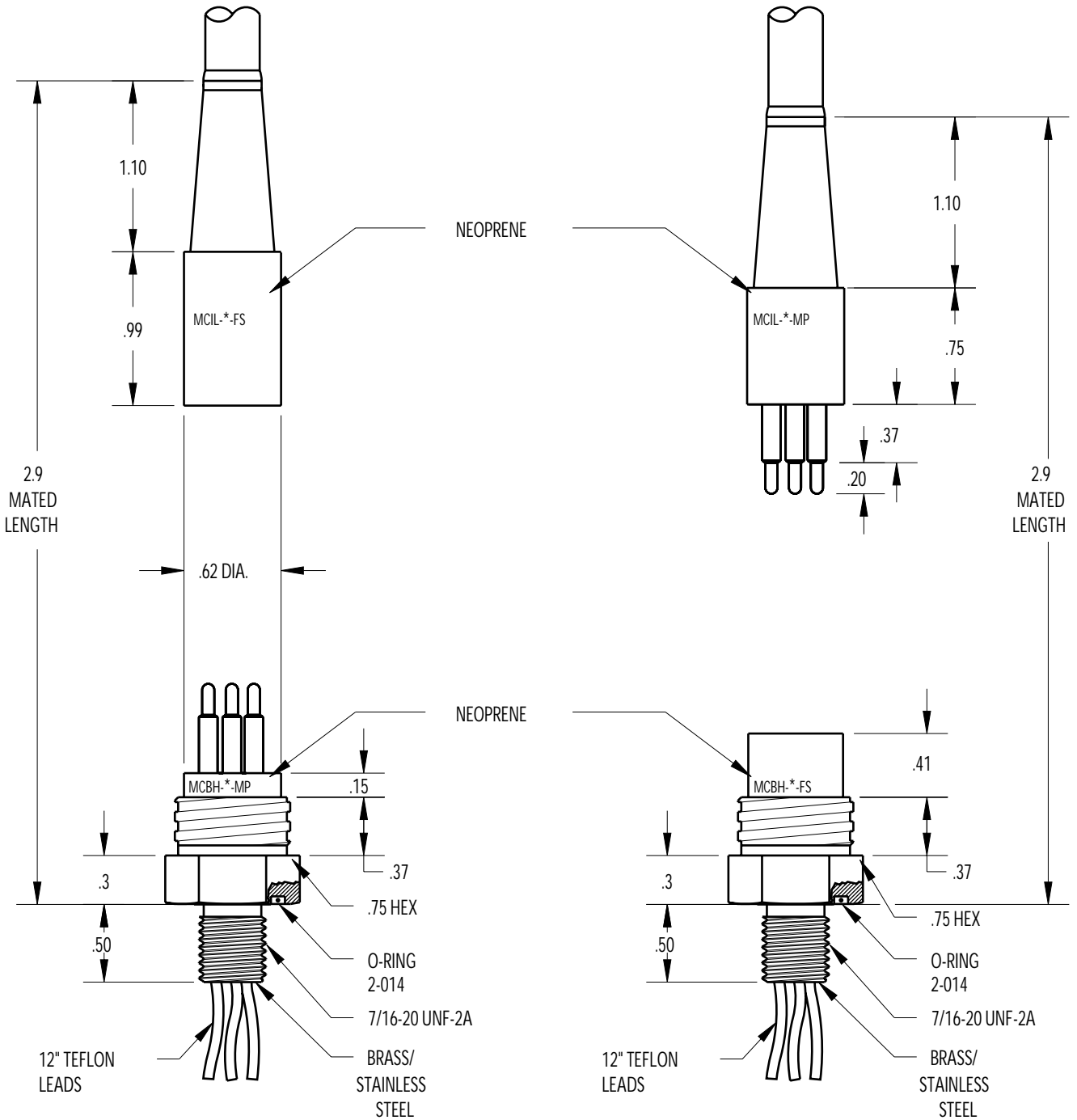
3 CONTACT  
W/ GUIDE PIN

GUIDE PIN



4 CONTACT  
W/ GUIDE PIN

MOUNTING TORQUE FOR MCIL/BH-FS/MP	not to exceed 100 in/lbs
MATED PRESSURE RATING (psi)	10,000
DUMMY PLUG FOR MCIL/BH-FS	MCDC-* -MP
DUMMY PLUG FOR MCIL/BH-MP	MCDC-* -FS
* Specify number of contacts.	

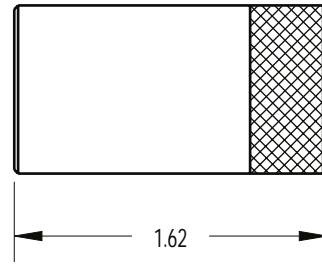
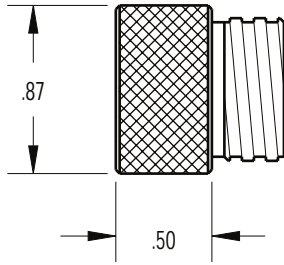


MALE

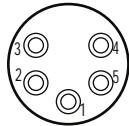
FEMALE

MCDLS-M

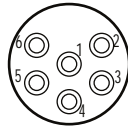
MCDLS-F



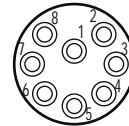
CONTACT  
CONFIGURATION  
(MP FACE VIEW)



5 CONTACT

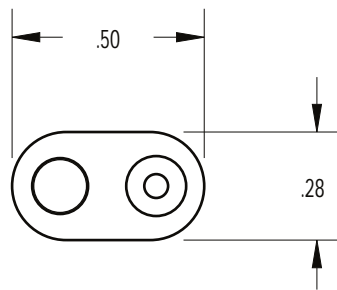
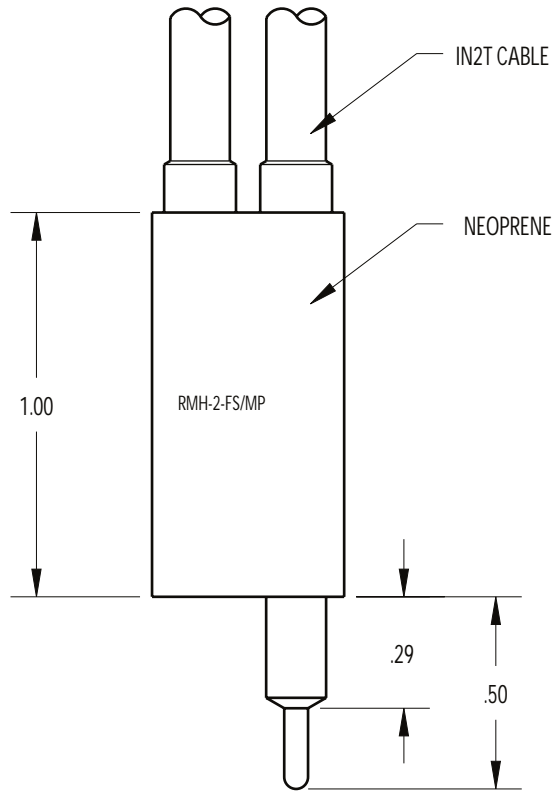


6 CONTACT



8 CONTACT

MOUNTING TORQUE FOR MCIL/BH-FS/MP	not to exceed 100 in/lbs
MATED PRESSURE RATING (psi)	10,000
DUMMY PLUG FOR MCIL/BH-FS	MCDC-* -MP
DUMMY PLUG FOR MCIL/BH-MP	MCDC-* -FS
* Specify number of contacts.	



MATED PRESSURE RATING (psi)	10,000
DUMMY PLUG FOR RMH-2-FS/MP	RMHDC-2-FS/MP

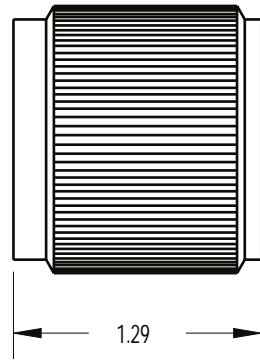
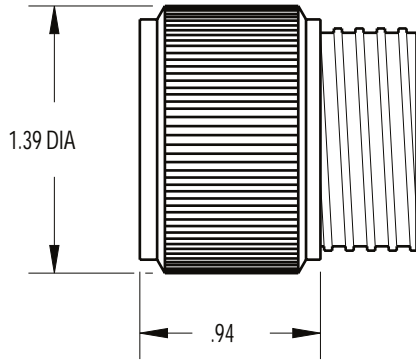
MALE

FEMALE

2,3,4,5,7,9 contact

DLSA-M

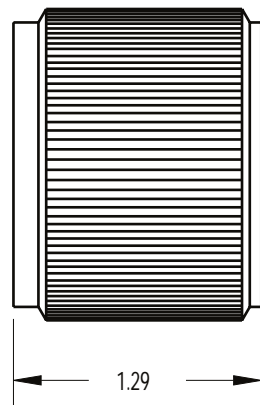
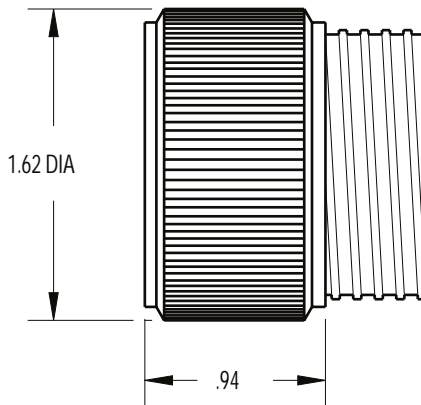
DLSA-F



6,8, M12, 16,  
HD2/4 contact

DLSB-M

DLSB-F



12 contact

DLSC-M

DLSC-F

