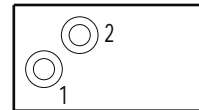
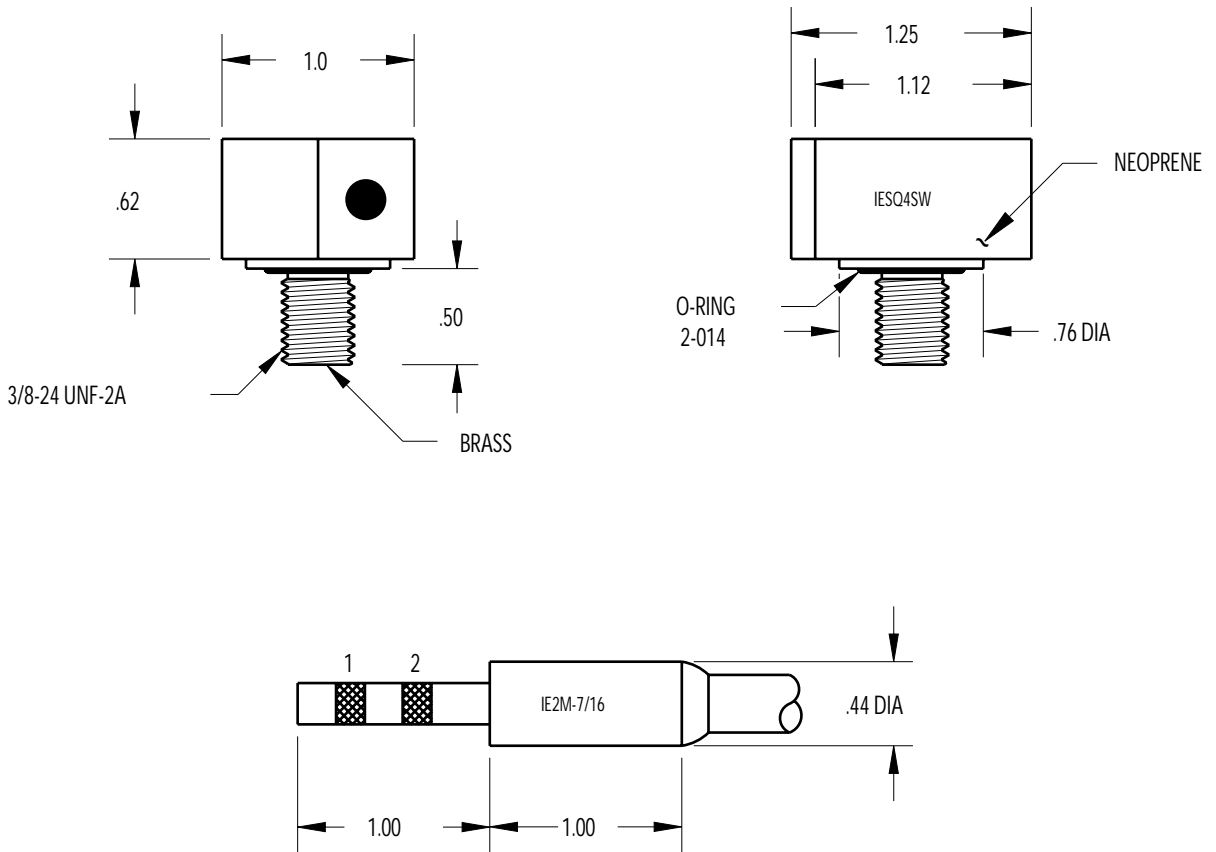


**CONTACT
CONFIGURATION**
(MP FACE VIEW)



| SWITCH RATINGS | | CONNECTOR RATINGS | |
|----------------------|-----------|-----------------------------|--------------------------|
| CURRENT | 0.5 A | MOUNTING TORQUE | not to exceed 100 in/lbs |
| VOLTAGE | 200VDC | MATED PRESSURE RATING (psi) | 5,000 |
| RESISTANCE | 0.100 OHM | DUMMY PLUG FOR RSBH-2-FS | RSDC-2-MP |
| OPERATING TIME (MAX) | 0.6 mS | DUMMY PLUG FOR RSIL-2-MP | RSDC-2-FS |
| RELEASE TIME (MAX) | 0.1 mS | | |

NOTE: Bulkhead available in stainless steel.
Standard 1/2" thread length.
Bulkhead available with inboard leads + mating connector or inboard leads without mating connector.



| SWITCH RATINGS | | CONNECTOR RATINGS | |
|----------------------|-----------|-----------------------------|--------------------------|
| CURRENT | 0.5 A | MOUNTING TORQUE | not to exceed 100 in/lbs |
| VOLTAGE | 200VDC | MATED PRESSURE RATING (psi) | 5,000 |
| RESISTANCE | 0.100 OHM | DUMMY PLUG FOR IESQ4SW | IE2M-7/16-DO * |
| OPERATING TIME (MAX) | 0.6 mS | DUMMY PLUG FOR IE2M-7/16 | IE2F-7/16-DO * |
| RELEASE TIME (MAX) | 0.1 mS | | |

NOTE: Bulkhead available in stainless steel.
 Standard 1/2" thread length.
 Bulkhead available with inboard leads + mating connector or inboard leads without mating connector.
 * Shorted dummies (DS) available upon request.