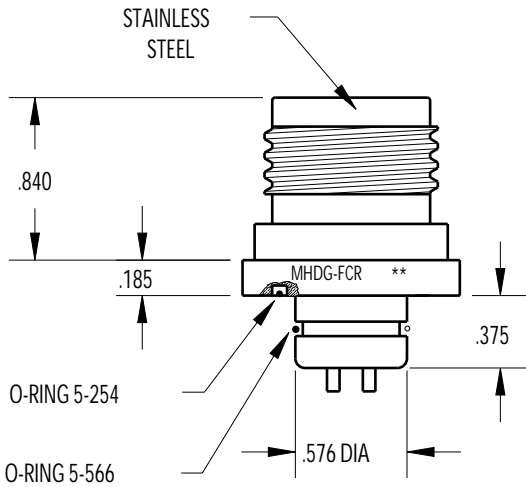
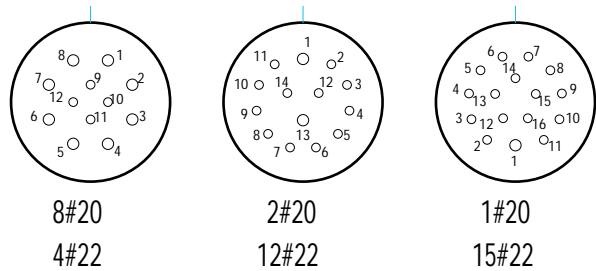
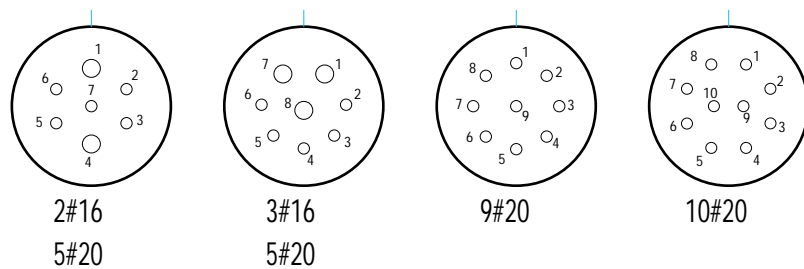
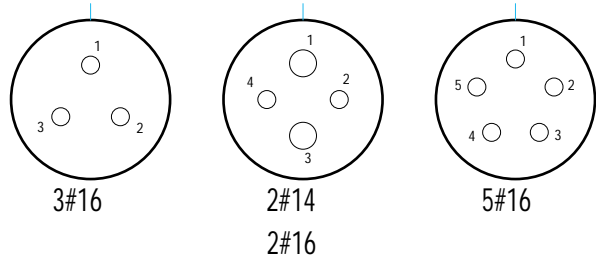
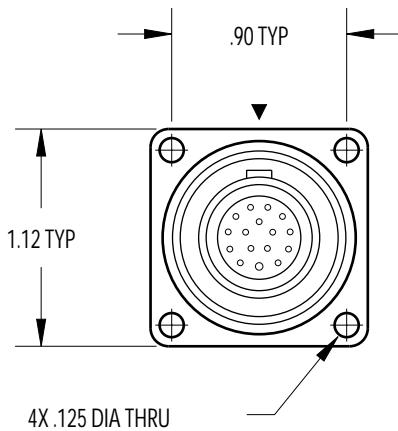
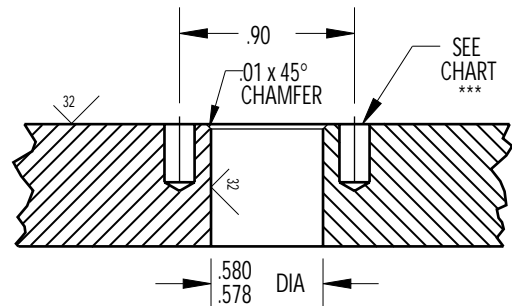


DETAIL A

CONTACT CONFIGURATION  
(BCR FACE VIEW)



MOUNTING INSTRUCTIONS



MOUNTING TORQUE FOR MHDG-BCR	not to exceed 150 in/lbs	MATED PRESSURE RATING (psi)	10,000
DUMMY PLUG FOR MHDG-BCR/FCR/CCR	MHDG-SCP	DUMMY PLUG FOR MHDG-CCP	MHDG-SCR

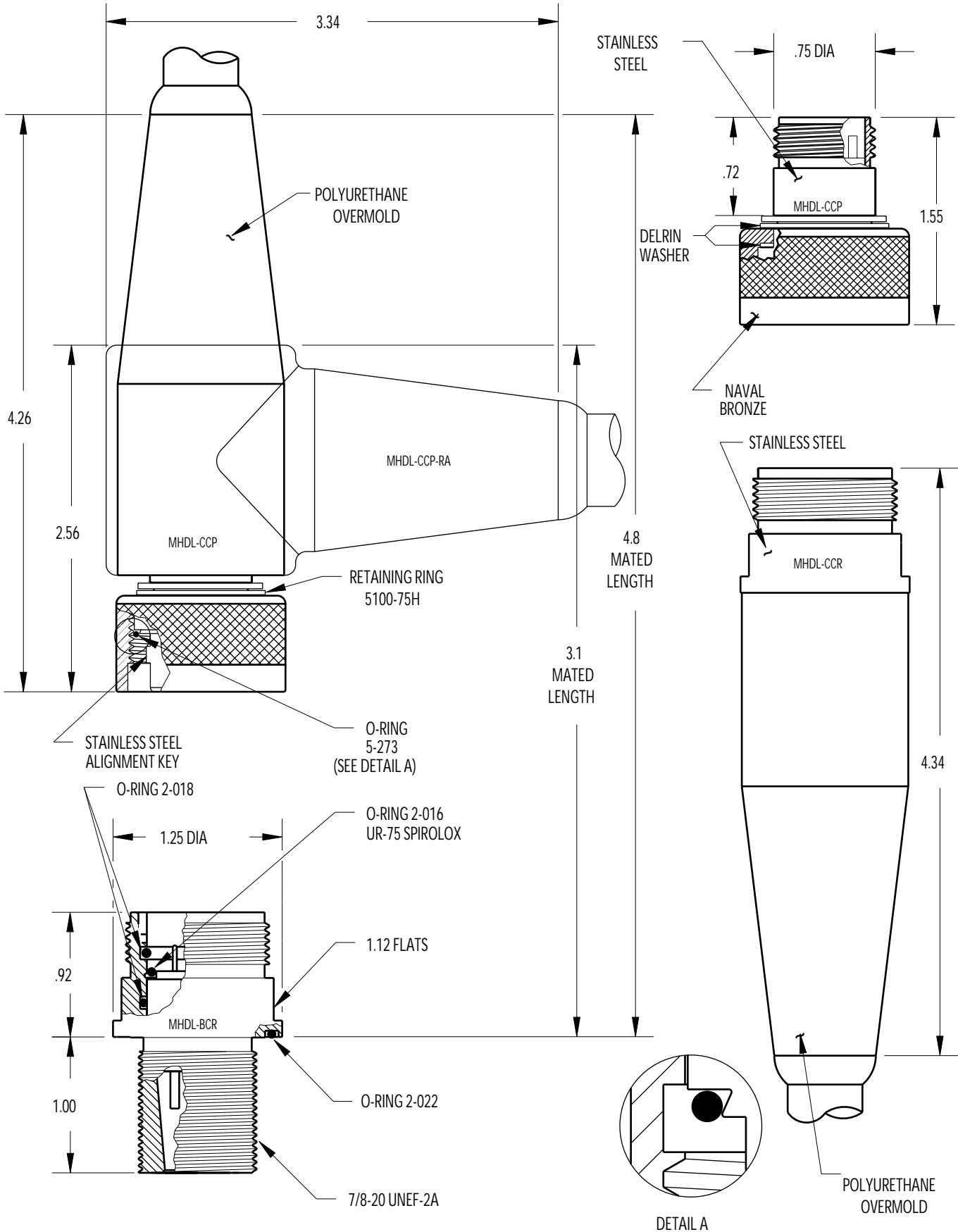
NOTE: CCP is not terminated to cable unless specified.

\* Please specify number of contacts.

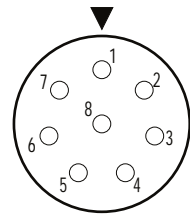
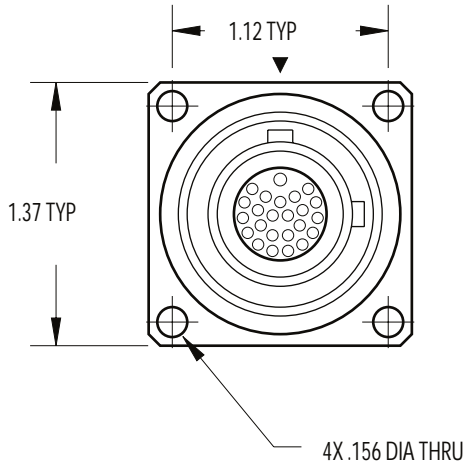
\*\* Internal assembly same as MHDG-BCR (facing page).

\*\*\* Blind tapped hole not to penetrate bulkhead, minimum full thread depth 2 times bolt diameter.

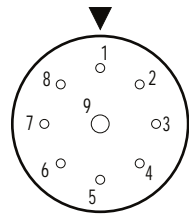
\*\*\*\* Oil filled version available upon request.



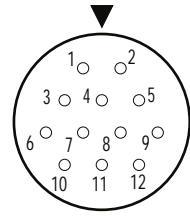
CONTACT CONFIGURATION  
(BCR FACE VIEW)



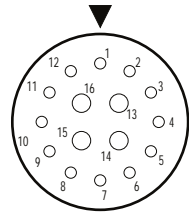
8#16



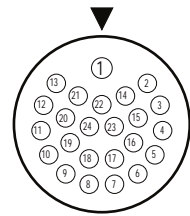
1#16  
8#22



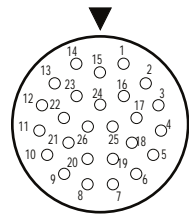
12#20



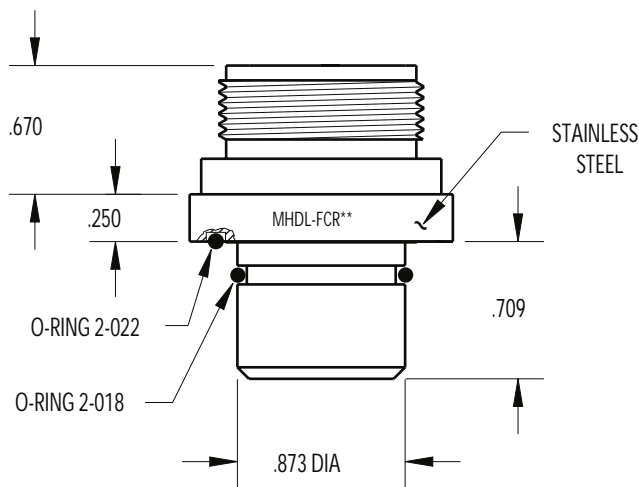
4#20  
12#22



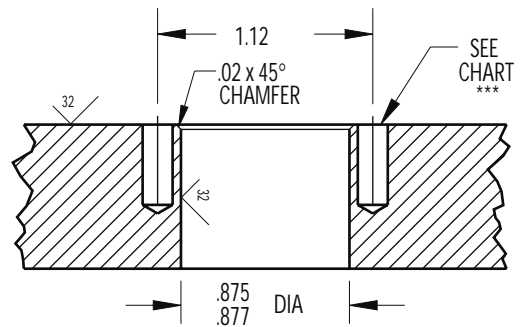
1#20  
23#22



26#22



MOUNTING INSTRUCTIONS



MOUNTING TORQUE FOR MHDL-BCR	not to exceed 200 in/lbs	MATED PRESSURE RATING (psi)	10,000
DUMMY PLUG FOR MHDL-BCR/FCR/CCR	MHDL-SCP	DUMMY PLUG FOR MHDL-CCP	MHDL-SCR

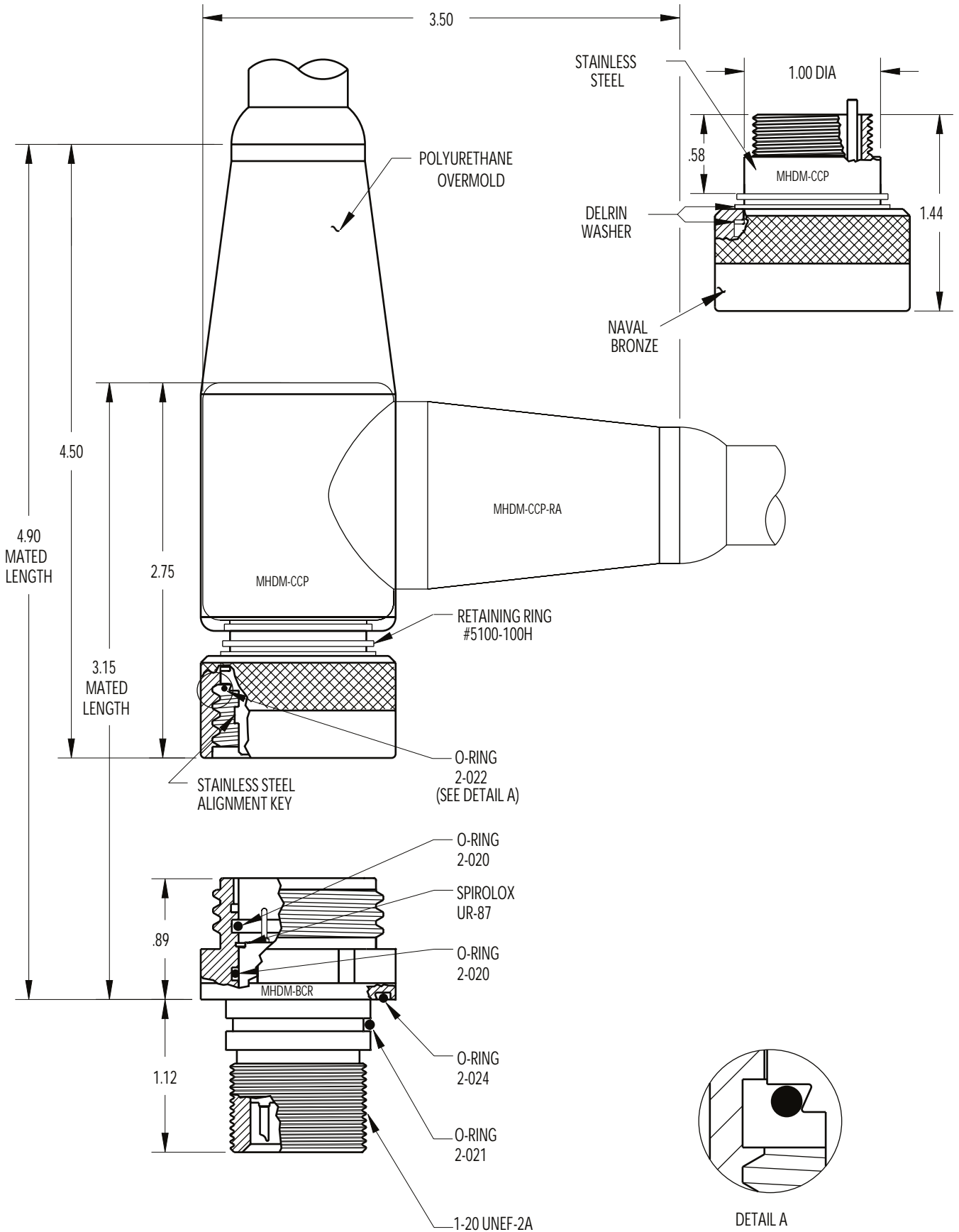
NOTE: CCP is not terminated to cable unless specified.

\* Please specify number of contacts.

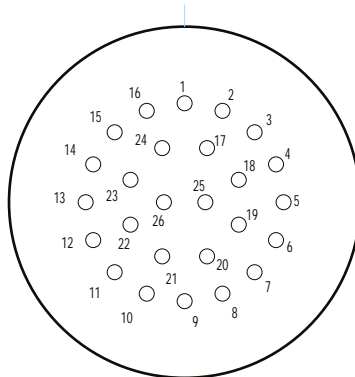
\*\* Internal assembly same as MHDL-BCR (facing page).

\*\*\* Blind tapped hole not to penetrate bulkhead, minimum full thread depth 2 times bolt diameter.

\*\*\*\* Oil filled version available upon request.

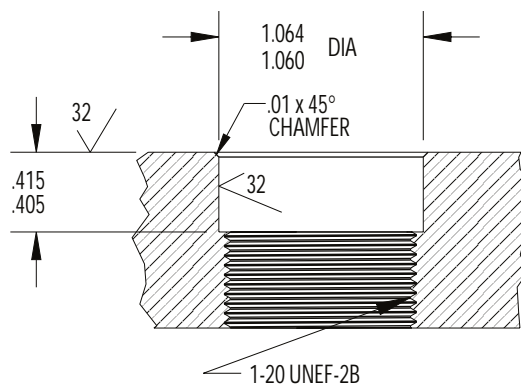


CONTACT CONFIGURATION  
(BCR FACE VIEW)

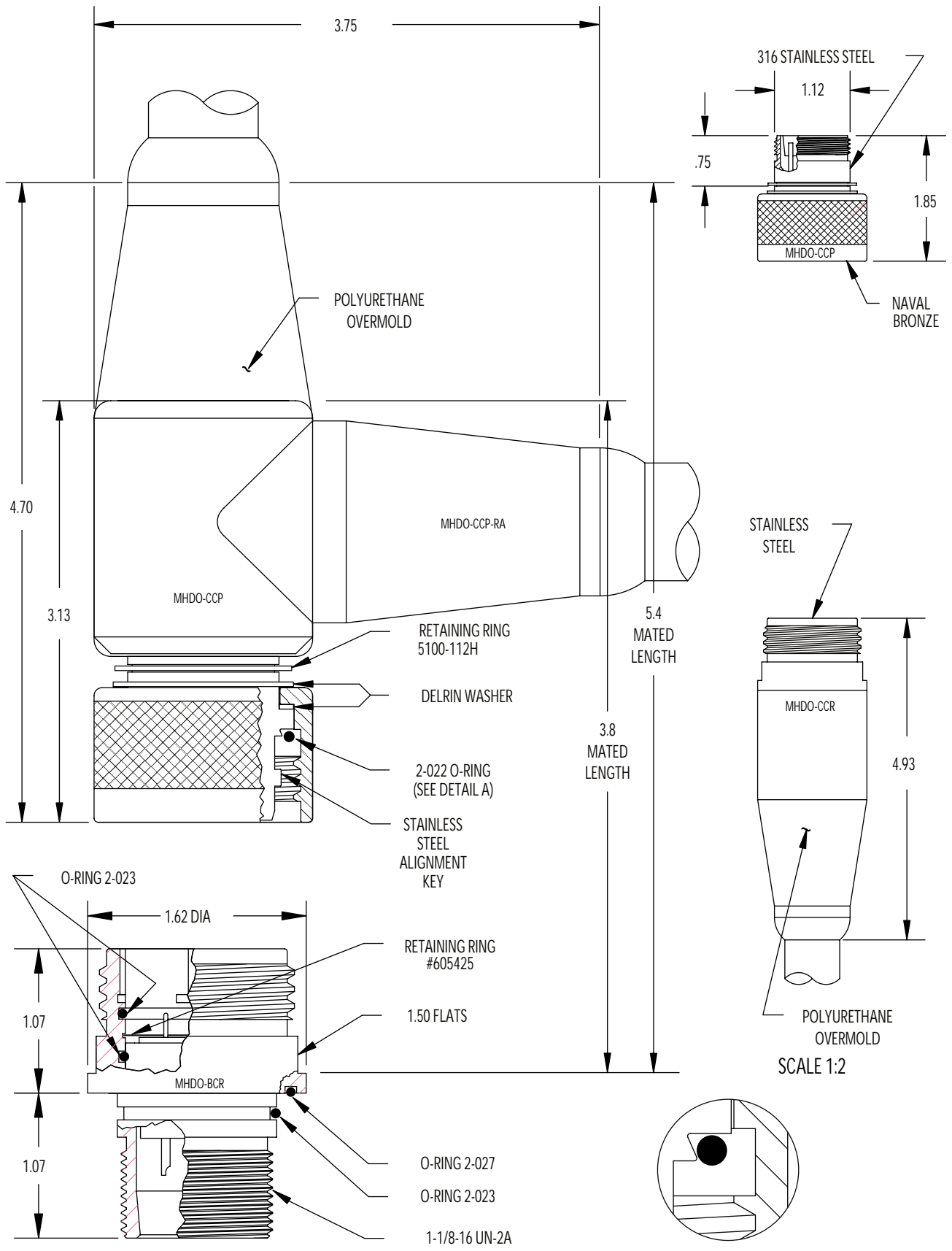


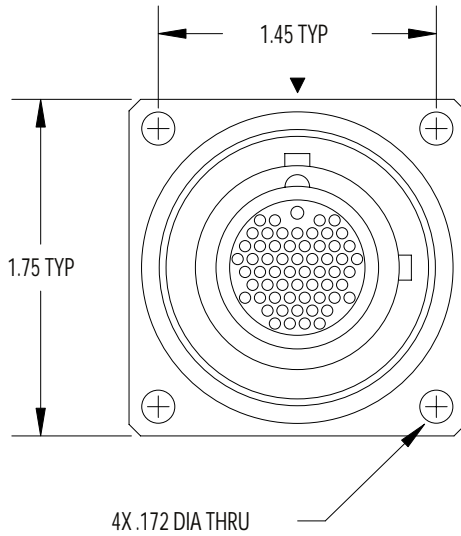
26#20

MOUNTING  
INSTRUCTIONS



MATED PRESSURE RATING (psi)	10,000
MOUNTING TORQUE FOR BCR	not to exceed 200 in/lbs
DUMMY PLUG FOR BCR	MHDM-SCP
DUMMY PLUG FOR CCP	MHDM-SCR
NOTE: CCP is not terminated to cable unless specified.	

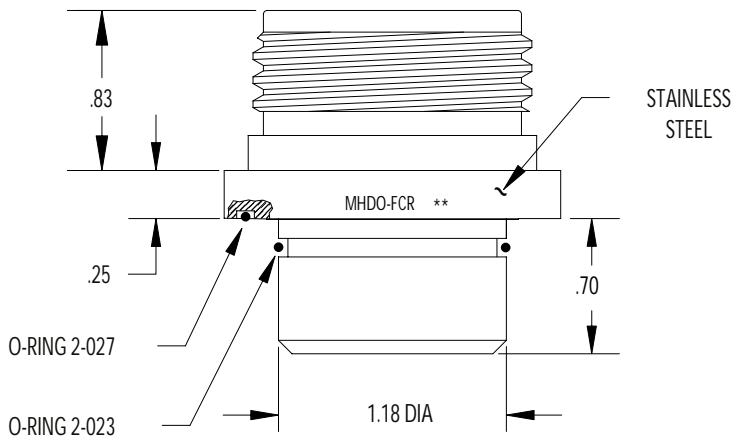
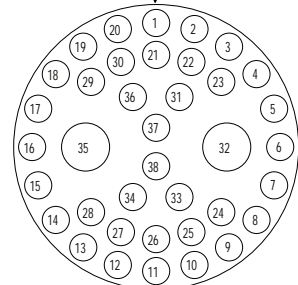
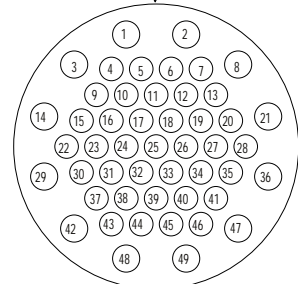
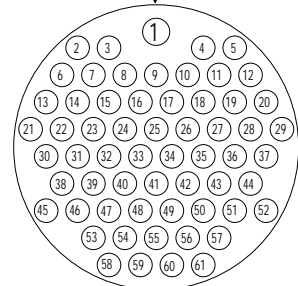




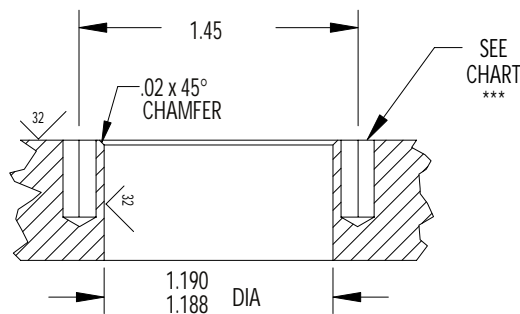
**CONTACT CONFIGURATION**

(BCR FACE VIEW)

OTHER PIN CONFIGURATIONS AVAILABLE UPON REQUEST



**MOUNTING INSTRUCTIONS**



MOUNTING TORQUE FOR MHDO-BCR	not to exceed 200 in/lbs	MATED PRESSURE RATING (psi)	10,000
DUMMY PLUG FOR MHDO-BCR/FCR/CCR	MHDO-SCP	DUMMY PLUG FOR MHDO-CCP	MHDO-SCR

NOTE: CCP and CCR are not terminated to cable unless specified.

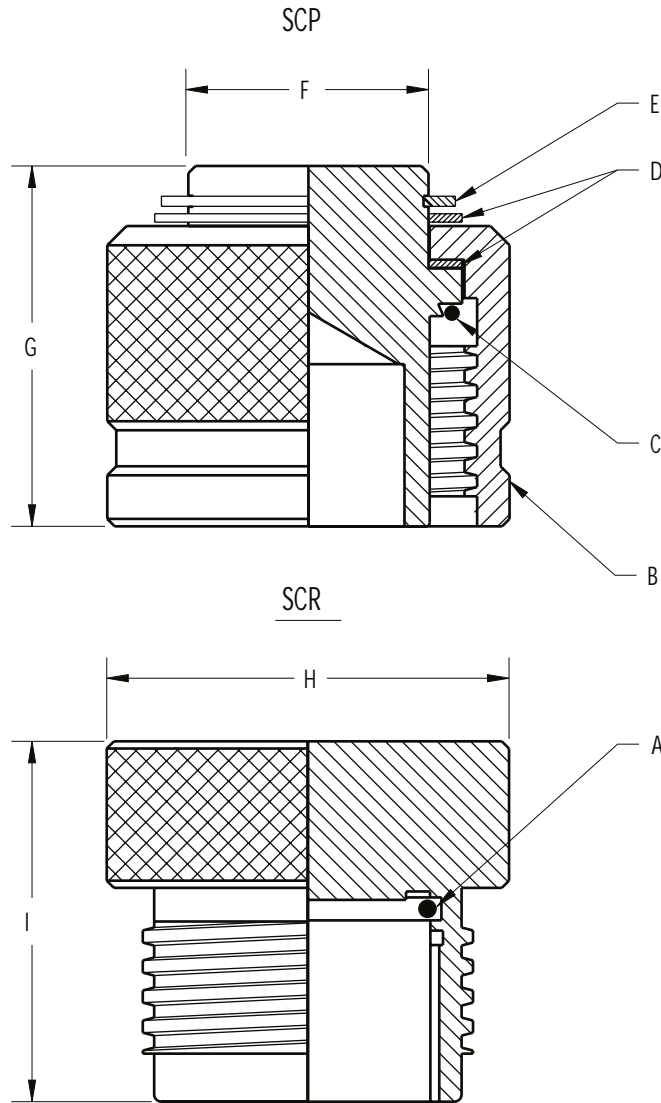
\* Please specify number of contacts.

\*\* Internal assembly same as MHDO-BCR (facing page).

\*\*\* Blind tapped hole not to penetrate bulkhead, minimum full thread depth 2 times bolt diameter.

\*\*\*\*MHDO series redesigned. Old style available upon request.

\*\*\*\*\* Oil filled version available upon request.



CONNECTOR SIZE	MHDG	MHDL	MHDM	MHDO
A O-RING	2-016	2-018	2-020	2-023
B ENGAGING NUT	605165	605280	602004	605450
C O-RING	2-017	5-273	2-022	2-022
D DELRIN WASHER (2X)	605101	605273	605005	605430
E RETAINING RING	5100-68	5100-75	5100-100	5100-112
F DIA	.69	.75	1.00	1.12
G	1.05	.95	.97	1.25
H DIA	1.00	1.25	1.43	1.62
I	1.00	.90	.87	1.25
MATED PRESSURE RATING (psi)	10,000	10,000	10,000	10,000

SCALE NONE