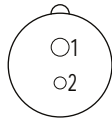
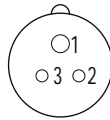


NOTE: BCR now available in aluminum or stainless steel, see Technical Bulletin 45 10.

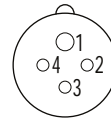
CONTACT
CONFIGURATION
(BCR FACE VIEWS)



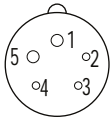
1#14
1#16
600 VDC



1#14
2#16
600 VDC



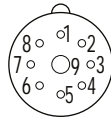
1#14
3#16
300 VDC



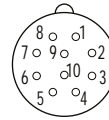
2#16
3#20
300 VDC



1#16
6#20
300 VDC

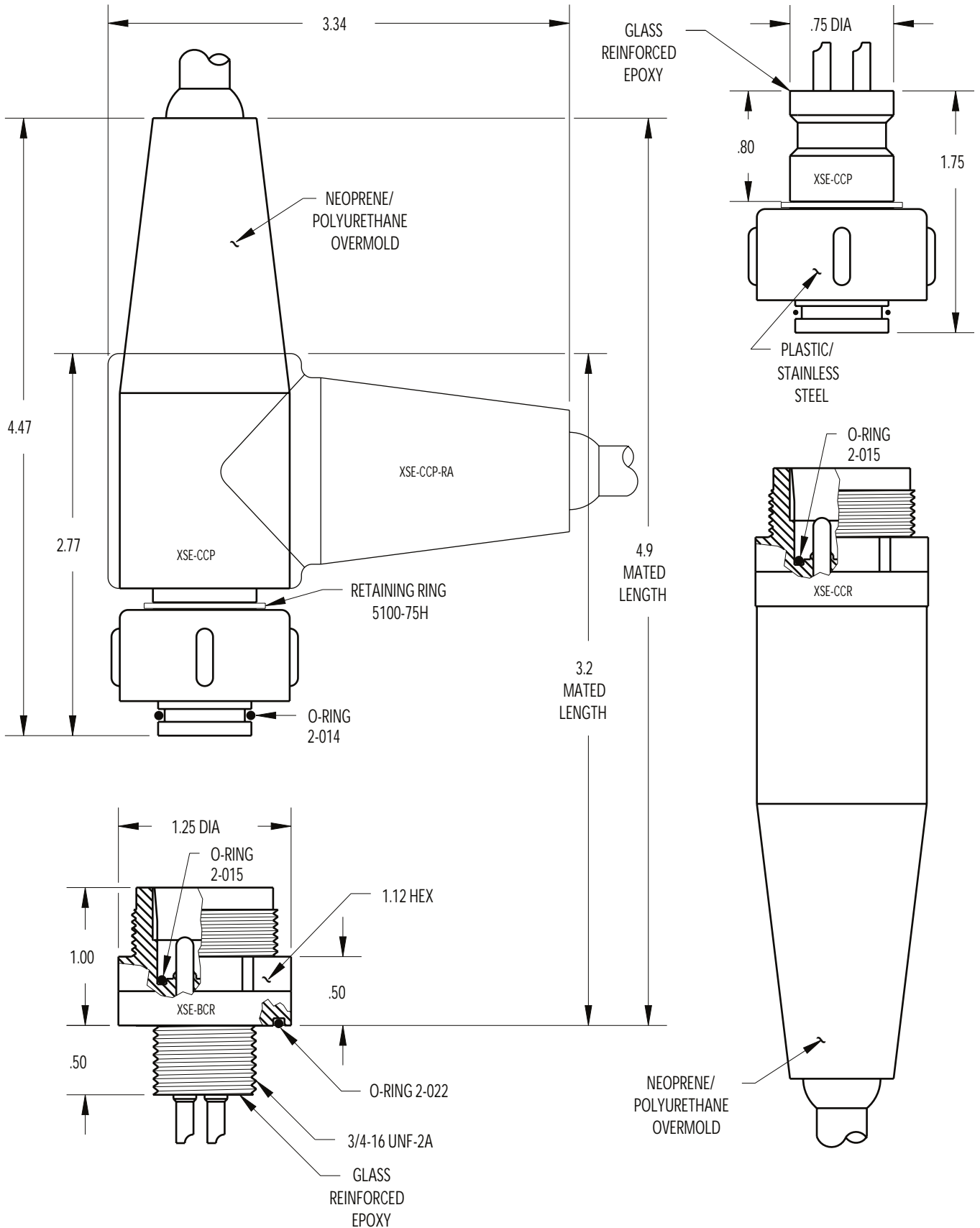


1#14
8#20
300 VDC

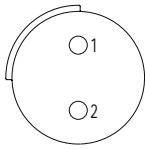


10#20
300 VDC

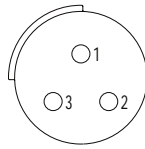
MOUNTING TORQUE FOR XSJ-BCR	not to exceed 20 in/lbs	MATED PRESSURE RATING (psi)	10,000
DUMMY PLUG FOR XSJ-BCR/CCR	XSJ-*-SCP	DUMMY PLUG FOR XSJ-CCP	XSJ-SCR
<p>NOTE: CCP/CCR are not terminated to cable unless specified. * Please specify number of contacts. ** Extended backshell for Oil Filled assemblies.</p>			



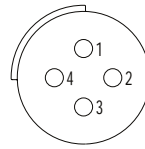
CONTACT
CONFIGURATION
(BCR FACE VIEWS)



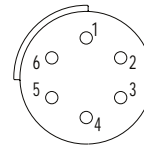
2#14
800 VDC



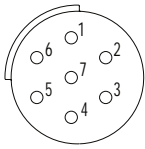
3#14
700 VDC



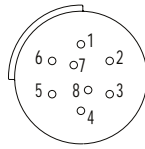
4#14
600 VDC



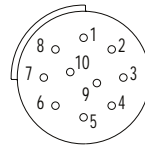
6#16
500 VDC



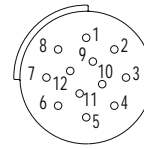
7#16
500 VDC



8#20
400 VDC



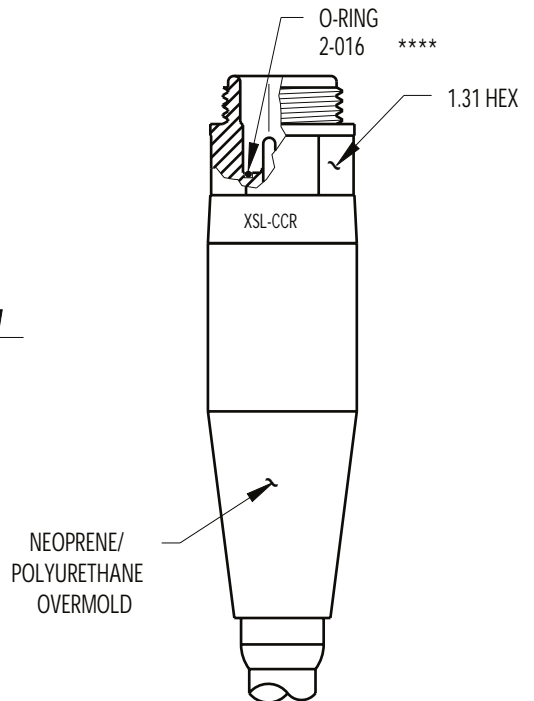
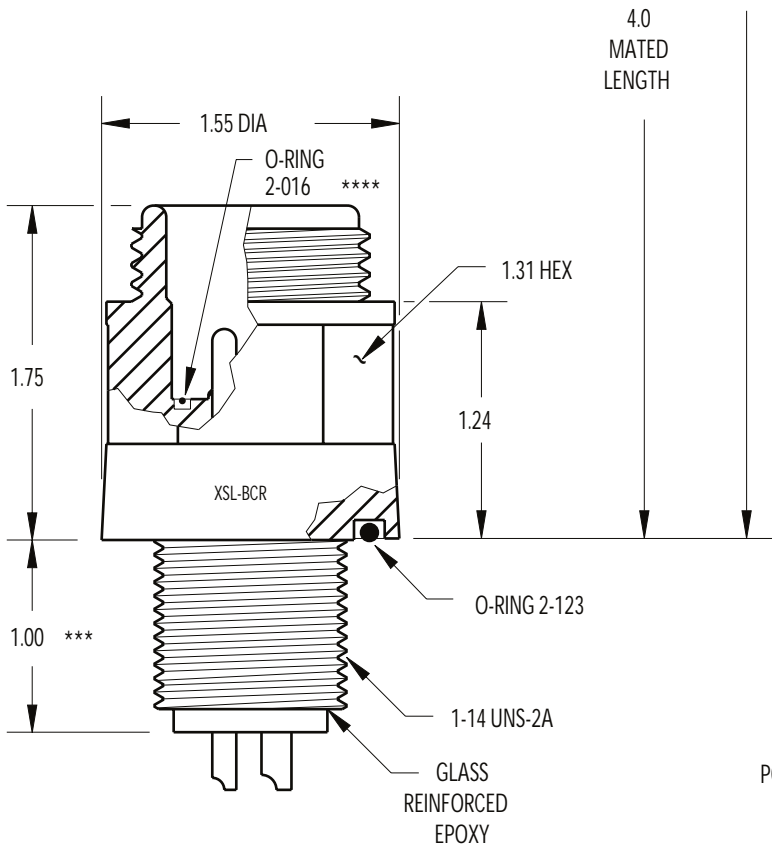
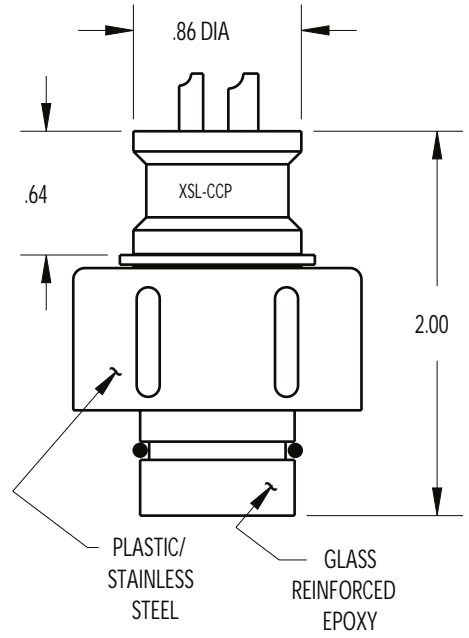
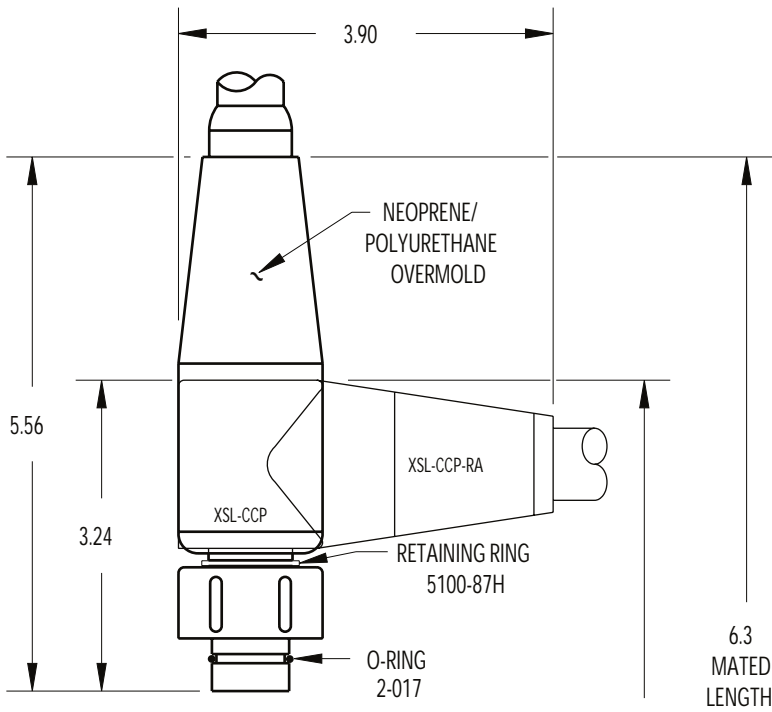
10#20
300 VDC

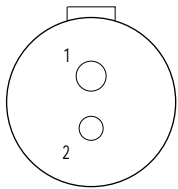
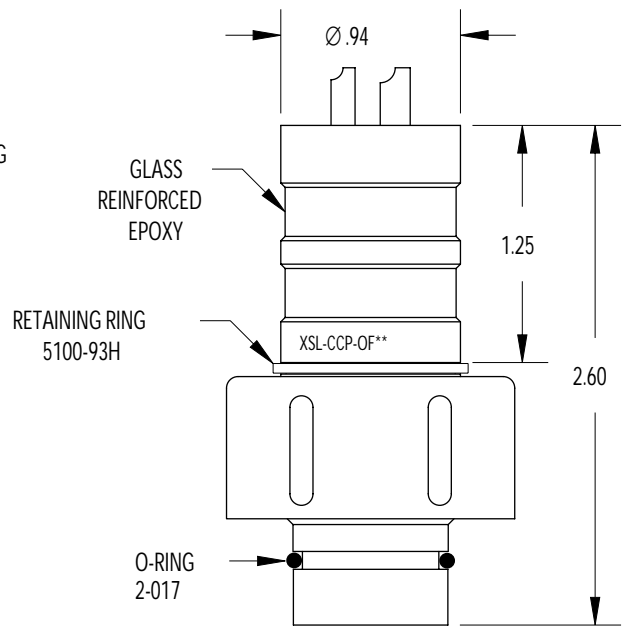
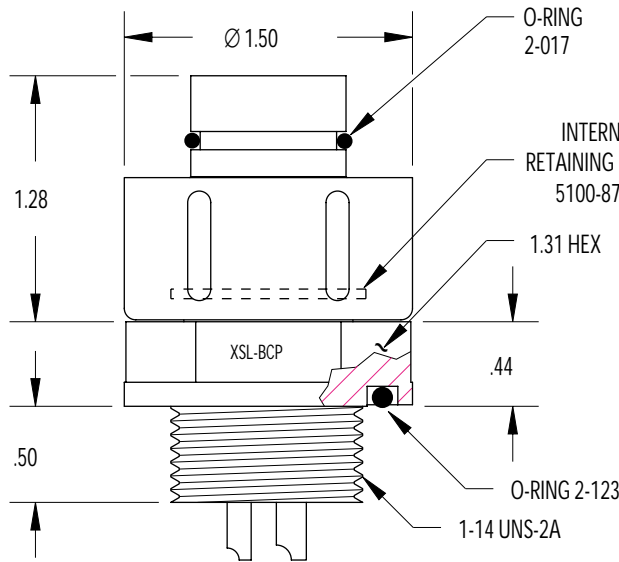


12#20
250 VDC

MOUNTING TORQUE FOR XSE-BCR	not to exceed 75 in/lbs	MATED PRESSURE RATING (psi)	10,000
DUMMY PLUG FOR XSE-BCR/CCR	XSE-* -SCP	DUMMY PLUG FOR XSE-CCP	XSE-SCR

NOTE: CCP/CCR are not terminated to cable unless specified.
* Please specify number of contacts.

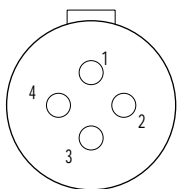




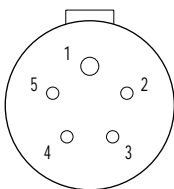
1#8/1#10
600 VDC

CONTACT CONFIGURATION
(BCR FACE VIEWS)

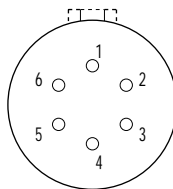
NOTE: Please specify narrow (.125) or wide (.250) key when ordering.



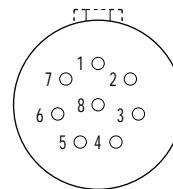
4#10
600 VDC



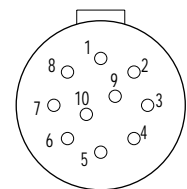
1#14/4#16
500 VDC



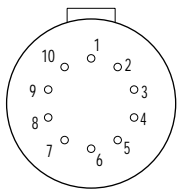
6#16
500 VDC



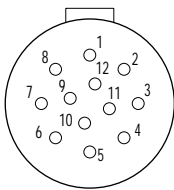
8#16
500 VDC



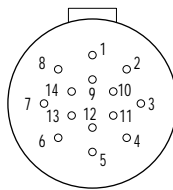
10#16
400 VDC



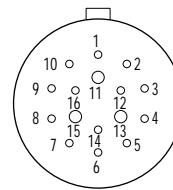
(PBOF)10#20
200 VDC



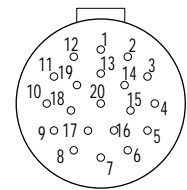
12#16
200 VDC



14#20
200 VDC



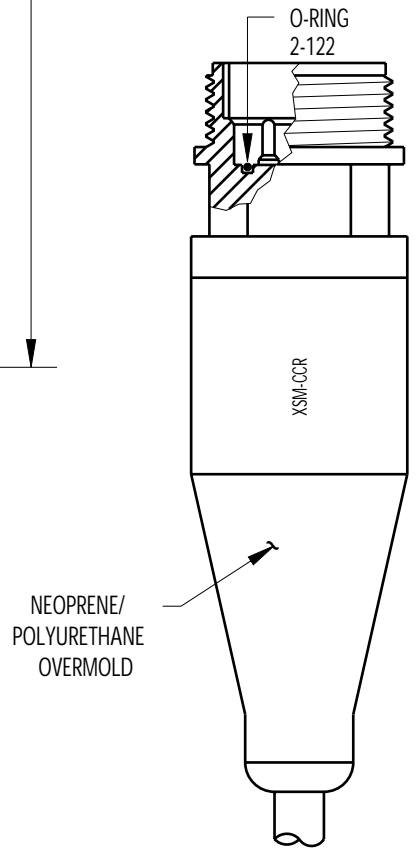
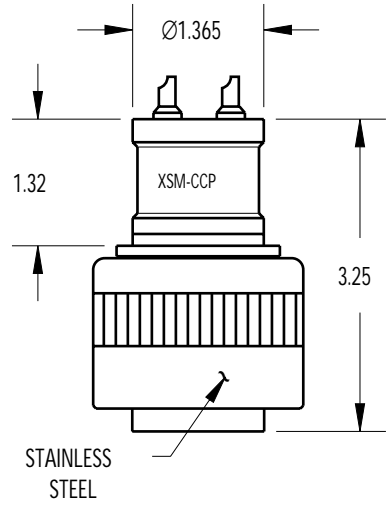
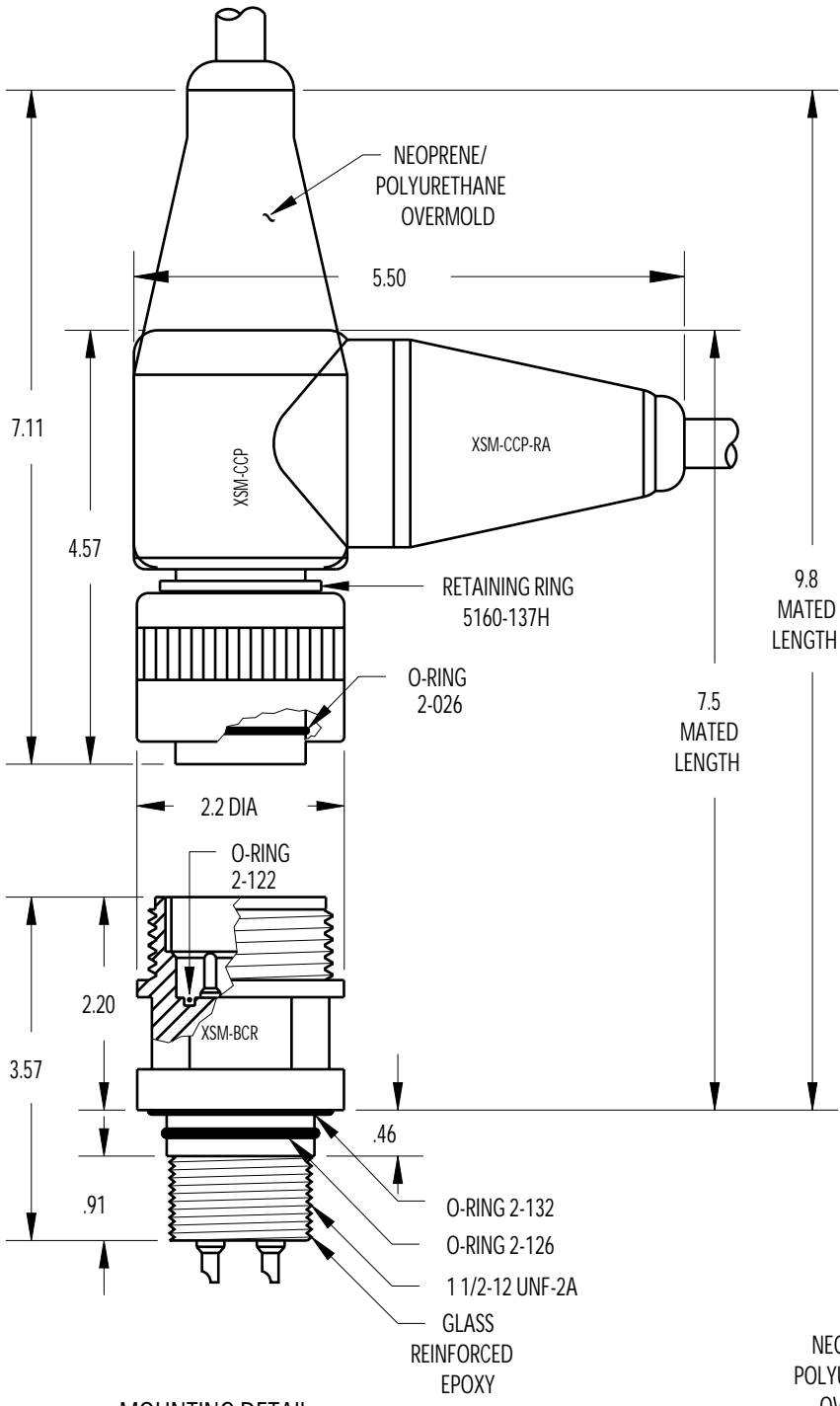
3#16/13#20
200 VDC



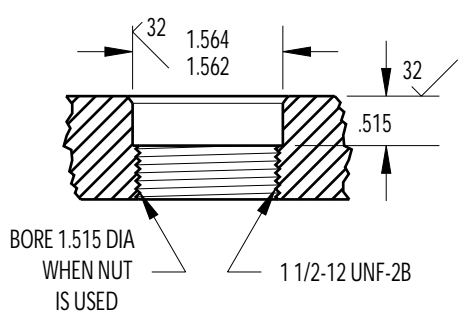
20#20
200 VDC

MOUNTING TORQUE FOR XSL-BCR/BCP	not to exceed 130 in/lbs	MATED PRESSURE RATING (psi)	20,000
DUMMY PLUG FOR XSL-BCR/CCR	XSL-*-SCP	DUMMY PLUG FOR XSL-CCP/BCP/CCP/CCP-OF	XSL-*-SCR

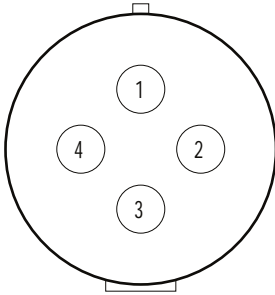
NOTE: CCP/CCR are not terminated to cable unless specified.
* Please specify number of contacts.
** Extended backshell for Oil Filled assemblies.
*** Also available in .50 thread length, 5-12 contacts only.
**** XSL-20-BCR, XSL-20-CCR and XSL-20-SCR use o-ring 5-254.



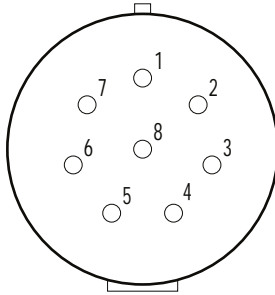
MOUNTING DETAIL



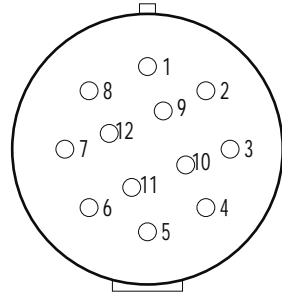
CONTACT
CONFIGURATION
(BCR FACE VIEWS)



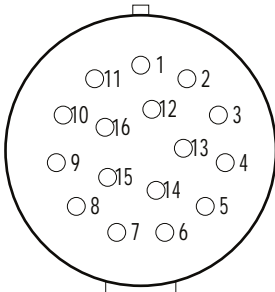
4#6
600 VDC



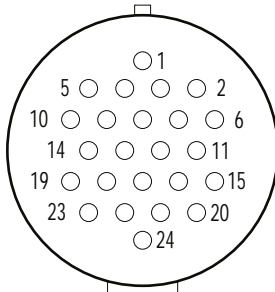
8#14
600 VDC



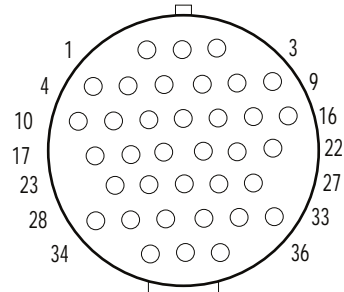
12#14
600 VDC



16#14
600 VDC



24#16
400 VDC



36#16
400 VDC

MOUNTING TORQUE FOR BCR	not to exceed 200 in/lbs	MATED PRESSURE RATING (psi)	10,000
DUMMY CAP FOR BCR/CCR	XSM-*SCP	DUMMY CAP FOR CCP	XSM-SCR
NOTE: CCP/CCR are not terminated to cable unless specified. * Please specify number of contacts.			