

Model 180

Ideal for small systems such as mini-ROVs, oceanographic instruments, side scan sonars and land based seismic systems, the Model 180 is a compact, rugged unit designed for severe environments and backed by ISO 9000 quality. It has a stainless steel exterior with O-ring seals for weather protection. Heavy duty ball-races are lubricated and sealed for life.

It can be supplied with a single or dual-channel, bi-directional, passive fiber optic rotary joint, enclosed within a longer body, or with a single pass fluid swivel integral to the housing. For use in hazardous locations the unit may be ordered with an explosion-proof or flameproof certified enclosure. Another adaption is for use underwater as an oil-filled, pressure-compensated electro-mechanical swivel with a maximum continuous rating of 3 tonnes.

Typical uses include:

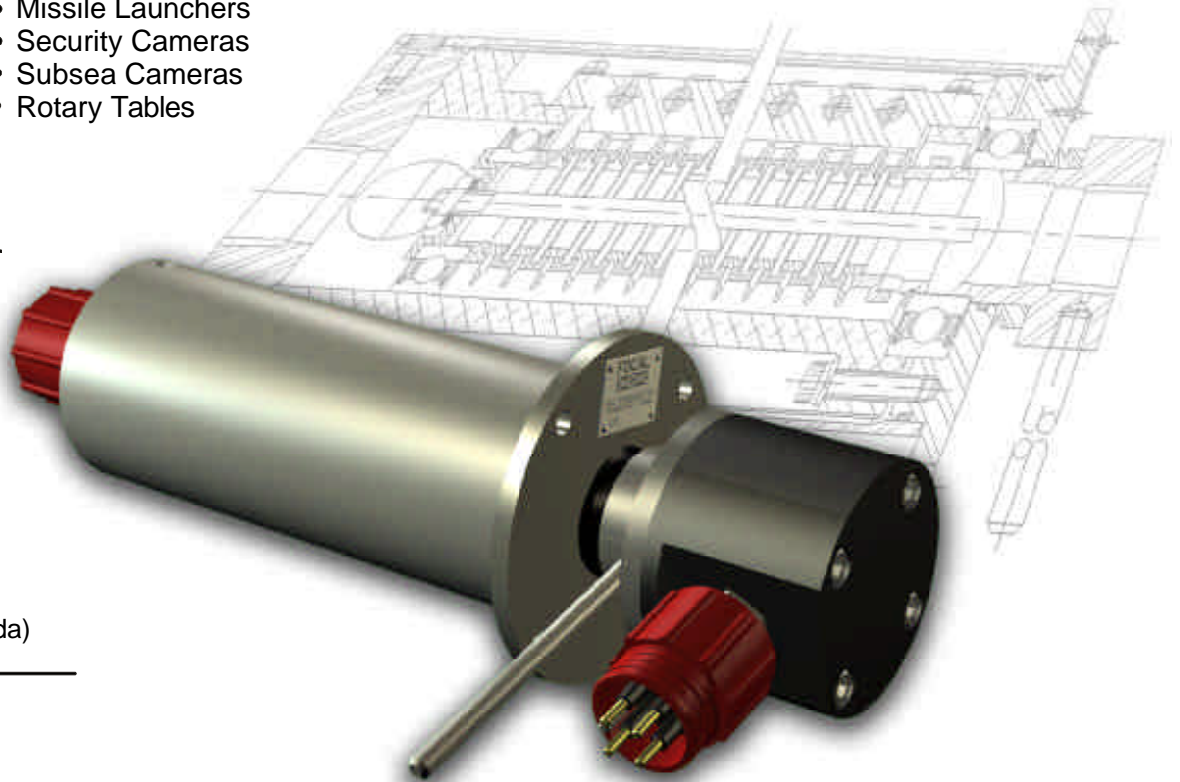
- Food Processing Equipment
- Oceanographic Winches
- Missile Launchers
- Security Cameras
- Subsea Cameras
- Rotary Tables

Visit our website:
www.focaltech.ns.ca

Email:
info@focaltech.ns.ca

Tel: 902.468.2263
Fax: 902.468.2249

Toll free:
1.800.361.2263 (USA)
1.888.302.2263 (Canada)



Focal Technologies Corporation
40 Thornhill Drive, Unit #7,
Dartmouth, Nova Scotia, B3B 1S1
Canada

*Shown with optional
Subconn connectors*

FOCAL

A KAYDON COMPANY

