

## DSU READER 2995

*A unit designed to be used when reading data from Data Storage Units (DSU) 2990 and 2990E. It converts the stored data to dual polarity signals in accordance with the RS-232C standard.*



*Engineering Data Graph from Data Reading Program 5059*

Data stored in the Data Storage Units DSU 2990 and DSU 2990E must be read using the DSU Reader 2995 together with a personal computer and a reading program. The DSU Reader converts the 0 – 5 volt serial signals from the DSU to dual polarity signals in accordance with the RS-232C standard which can be read directly by a computer. The Reader also supplies power to the DSU while the reading takes place.

The electronics are molded in scotchcast and protected by an aluminum cover. The Reader has two 6-pin receptacles for connection to the DSU and a PC, and one 2-pin receptacle for power input.

Cable 2842C is used to connect the DSU 2990 to the Reader. The output cable 3016C has a 9-pin D-connector which connects to the serial input port of computers, see next page for details.

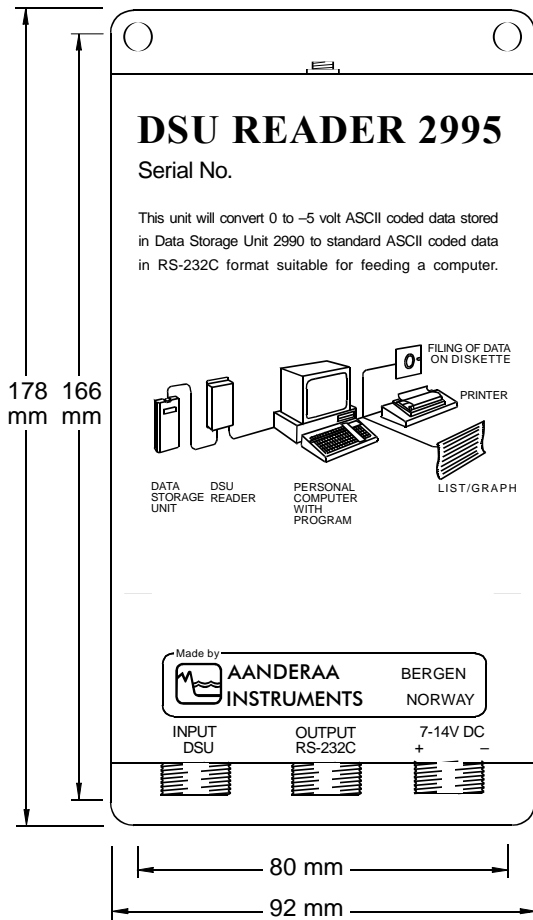
The communication parameters are; 9600 baud, 8 data bits, no parity and 2 stop bits. Data are presented as ASCII characters, in a format suited for listing on a printer. Each reading is transmitted as seven characters. The first four are decimal digits (0000 to 1023). The three last ones are used for marking of faulty readings and for proper formatting of the output as shown by the table overleaf.

## DATA READING PROGRAM 5059, Windows™ Version 1.00

The non-licensed version of this program is delivered with the Reader. With the DSU Reader 2995 connected directly to a personal computer via a single RS-232C port, the licensed version of the program provides the following features:

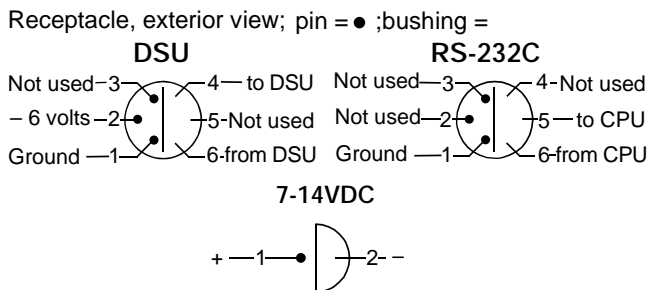
- Download measured data from Aanderaa Data Storing Units and Dataloggers
- Perform quality control and edit data records
- Apply calibration information to raw data
- Store instrument configuration and calibration information in a database
- Visualize data in raw or engineering data format
- Carry out statistical spectrum analysis on measured data
- Store measured data on disk for later analysis
- Export data to general data formats for use by other applications

The program is menu driven and easy to use. It is delivered on one CD accompanied by a comprehensive Operating Manual.

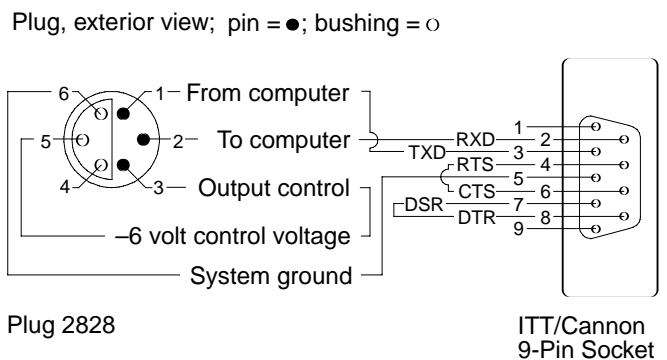


- Input Signal (DSU 2990):** 0 to -5V, (see Serial Output).
- Output Signals:** RS-232C, 9600 baud, 8 data bits, no parity, 2 stop bits
- Operating Temperature:** -40 to +60 °C
- Current Consumption:** 3 mA
- Supply Voltage:** 7 to 14V DC
- Electrical Connections:** 6-pin Receptacle 2843 mating Watertight Plug 2828L; 2-pin Receptacle 2983 mating plug 2979L
- Material and Finish:** Hard anodized aluminum, molded in scotchcast
- Net Weight:** 550 grams
- Packing:** Cardboard box
- Accessories (included):**
  - AC/DC Adapter 3786 110-260VAC/12VDC. 3A
  - Connecting Cable 2842C for DSU 2990
  - Data Output Cable 3016C
  - Adapter 9p to 25p plug
  - Data reading program 5059, Non-licensed version
- Warranty:** Two years against faulty materials and workmanship

**PIN CONFIGURATION**



**WIRING OF CABLE 3016C**



Representative's Stamp

**SERIAL OUTPUT FORMAT**

One Data Word, 7 ASCII characters							Fault / Synch
1	2	3	4	5	6	7	
READING				Space	Space	Null	No fault, no Synch
(any number from 0000 to 1023)				CR	LF	Null	No fault, Synch
				*	Space	Null	Fault, no Synch
				*	CR	LF	Fault, Synch

Latest version is on the Internet

PO BOX 160, NESTTUN  
5852 BERGEN, NORWAY

NESTTUNBREKKEN 97  
5221 NESTTUN, NORWAY

TEL. +47 55 109900  
FAX. +47 55 109910

E-MAIL: info@aanderaa.no  
WEB: http://www.aanderaa.com